



Introduction

Spray Bodies

Spray & Rotary Nozzles

Rotors

Valves

Controllers

Sensors & Meters

Central Control and Water Management

Drip Irrigation

Filtration

Drainage Products

Resources

## Valves

Major Products										
Primary Applications	LFV	HV	HVF	DV	DVF	ASVF	PGA	PEB/PESB/PESB-R	EFB-CP/BPES	QC
Manual Bleed	I/E	I/E	I/E	I/E	I/E	I/E	I	I/E	I/E	
Flow Control			●		●	●	●	●	●	
Bottom Inlet				DV-A		●	●	300 PESB	BPES	●
Low Flow	●	●	●	●	●	●		●	●	
PRS-Dial Compatible							●	●	●	
Dirty Water								●	●	
Non-Potable Water							●	●	●	●
Sites Requiring Brass									●	●
Sites Requiring Plastic	●	●	●	●	●	●	●	●	●	
Decoder System Compatible							●	●	●	

• DV/DVF available in globe, angle, slip x slip, and male x barb configurations. • Flows below 0.68 m<sup>3</sup>/h; 0.19 l/s install 200 mesh filter upstream. • I/E = Internal/External  
 • The PESB-R and EFB-CP are specifically designed with chlorine-resistant components for reclaimed water applications.



### Water Saving Tips

- The PRS-Dial is an excellent means of regulating outlet pressure at the valve regardless of incoming pressure fluctuations. It helps ensure optimal pressure performance at the head.
- Rain Bird valves provide excellent filtration characteristics for maximum reliability in a wide range of environments.
- PESB-R and EFB-CP reclaimed valves provide reliable operation in all water conditions. Valve diaphragms are composed of a rubber material that is chlorine and chemical resistant.

## Low Flow Valves

Valves designed exclusively for the low flow rates of a drip irrigation system (0.2 - 10.0 gpm; 0.6 to 37.8 l/m)

### Features

- The only valves in the industry made specifically for drip irrigation systems, making these the only valves that can effectively handle particles at low flow rates – patented design
- These valves contain all of the features of reliable Rain Bird DV valves, coupled with a unique diaphragm design that allows particles to pass through at extremely low flow rates, thereby preventing weeping of the valve
- Allows the filter to be safely placed downstream of the valve since these valves handle all sizes of particles
- Unique “double-knife” diaphragm coupled with 1/2" diameter seat for flawless operation at low flow rates
- Low Flow Valve is available in 3/4" In-line model
- Double-filtered pilot flow design for maximum reliability
- External bleed to manually flush the system of dirt and debris during installation and system start-up
- Internal bleed for spray-free manual operation.

### Operating Range

- Flow: 0.20 to 10.0 gpm (0.6 to 37.8 l/m)
- Pressure: 15 to 150 psi (1.0 to 10.3 bar)

### Electrical Specifications

- 24 VAC 50/60 Hz (cycles/sec) solenoid
- Inrush current: 0.30 (7.2 VA) at 50/60 Hz
- Holding current: 0.19 A (4.56 VA) at 50/60 Hz

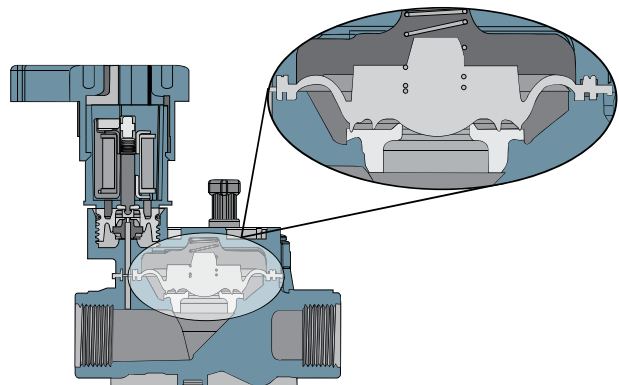
### Models

- LfV-075: 3/4" Low Flow DV Valve
- LfV-100\*: 1" Low Flow DV Valve

\*Available with BSP threads

### Pressure Loss Characteristics

Flow l/m	LFV-075 bar	LFV-100 bar
0.6	0.21	0.21
3.6	0.22	0.23
7.8	0.23	0.26
15.0	0.25	0.34
22.8	0.28	0.44
30.0	0.47	0.52



Unique Diaphragm Design



LFV-075

Note: Also available as part of XCZLF-100-PRF Control Zone Kit

## DV / DVF Series

Diaphragm Valve – The Industry Leader for Over 25 Years

### Features

- Double-filtered (diaphragm and solenoid) pilot-flow design for maximum reliability and grit resistance
- Buna-N, balanced pressure diaphragm with self-cleaning 200 micron pilot water filter and captive spring
- Energy-efficient, low-power encapsulated solenoid with captured plunger and 200 micron solenoid filter
- Unique, easy-to-turn pressure assisted flow control mechanism (DVF models only)
- External bleed to manually flush system of dirt and debris during installation and system start-up
- Internal bleed for spray-free manual operation
- Compatible with IVM solenoid valves
- Accepts Rain Bird TBOS latching solenoid for use with most battery-operated controllers
- Operates in low-flow and Landscape Drip applications when a 200 mesh filter is installed upstream
- **Not recommended for use with two-wire control systems**

### Specifications

- Pressure: 1,0 to 10,4 bar
- 100-DV Non-Flow Control Model: 0,05 to 9,085 m<sup>3</sup>/h; 0,01 to 2,52 l/s. For flows below 0,68 m<sup>3</sup>/h; 0,19 l/s or any Landscape Drip application, use a 200 mesh filter installed upstream
- 100-DVF Flow Control Model: 0,05 to 9,085 m<sup>3</sup>/h; 0,01 to 2,52 l/s; For flows below 0,68 m<sup>3</sup>/h; 0,19 l/s or any Landscape Drip application, use a 200 mesh filter installed upstream
- Water Temperature: Up to 43° C
- Ambient air temperature: Up to 52° C
- 24 VAC 50/60 Hz (cycles per second) solenoid power requirement: 0.450A inrush current; 0.250A holding current
- Solenoid coil resistance: 38 Ohms

### Dimensions

#### DV Valves

- Height: 11.4 cm
- Length: 11.1 cm
- Length (MB): 14.6 cm
- Width: 8.4 cm

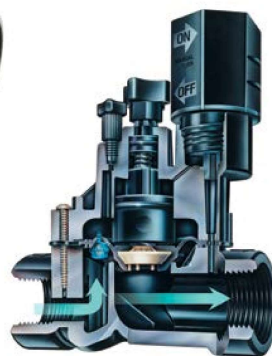
#### DVF Valves

- Height: 14.2 cm
- Length: 11.1 cm
- Length (MM): 14.6 cm
- Width: 8.4 cm



100-DVF

100-DV



DVF Cutaway

### DV and DVF Valve Pressure Loss (bar)

Flow m <sup>3</sup> /h	l/m	100-DV/100-DVF 1" bar
0.23	4	0.23
0.60	10	0.24
1.20	20	0.26
3.60	60	0.32
4.50	75	0.35
6.00	100	0.41
9.00	150	0.59

### 100-DV Angle, MxB Valve Pressure Loss (bar)

Flow m <sup>3</sup> /h	l/m	100-DV/100-DVF 1" bar
0.23	4	0.17
0.60	10	0.19
1.20	20	0.21
3.60	60	0.26
4.50	75	0.30
6.00	100	0.44
9.00	150	0.86

**Note:** DV/DVF Male x barb not recommended for flows exceeding 30 gpm (6.81 m<sup>3</sup>/h, 113.56 l/m)

### Models

Select models shown. Review your regional price list for complete availability.

- 075-DV: ¾" female threaded inlet and outlet
- I100-DV: 1" BSP female x female\*
- I100-DV-MM: 1" male x male\*
- 100-DV-MM-9V: 1" male x male, latching solenoid\*
- I100-DVF: 1" BSP female x female\*

\* Available with NPT threads

### Recommendations

1. Rain Bird recommends flow rates that result in discharge velocities in the supply line not to exceed 2.3 m/s in order to reduce the effects of water hammer.
2. Rain Bird residential valves cannot be used with PRS pressure regulating modules.
3. **Not recommended for use with 2-wire decoder systems like ESP-LXD.**

### How to Specify

#### I100 - DV - MM

Optional Configuration  
MM: Male x Male  
MM-9V: Male x Male, latching solenoid  
TBOS: TBOS latching solenoid

Model  
DV: Remote Control Valve  
DVF: Remote Control Valve with Flow Control

Size  
I100: 1"

This specifies an I100-DV valve; 1" (26/34) male x male.  
**Note:** For non-U.S. applications it is necessary to specify NPT or BSP thread type (1" only).

## HV Series

High Value Valve. High Performance. Big Savings.

### Features

- Patented, eccentric, balanced pressure, Buna-N diaphragm with self-cleaning 200 micron pilot water filter and captured stainless steel spring – Eccentric design provides smoother closing, less water hammer
- Only four durable, captured multi-drive bonnet screws that come out with half the number of turns for fast and easy servicing – at least twice as fast as the competition
- Glass-filled polypropylene body for strength (slip by slip model bodies are PVC)
- All popular model configurations available
- Compact design, 6.5 cm spin radius for tight installations
- Reverse flow, normally closed design
- External bleed to manually flush system of dirt and debris during installation and system start-up
- Internal bleed for spray-free manual operation
- Operates in low-flow and Landscape Drip applications when a 74 micron filter is installed upstream

### Specifications

- Pressure: 1,0 to 10,3 bar
- Flow: 0,05 to 6,82 m<sup>3</sup>/h; 0,01 to 1,89 l/s; for flows below 0,68 m<sup>3</sup>/h; 0,19 l/s or any Landscape Drip application, use a 200 mesh filter installed upstream
- Operating Temperatures: Water temperature up to 43° C; ambient temperature up to 52° C
- 24 VAC 50/60 Hz (cycles/sec.) solenoid
- Inrush current: 0.290A at 50/60 Hz
- Holding current: 0.091A at 50/60 Hz
- Solenoid Coil resistance: 70-85 Ohms (4.4° C - 43° C)



HV Valve Pressure Loss (bar)			METRIC
Flow m <sup>3</sup> /h	l/m	1" HV bar	1" HV-MB bar
0.25	4.17	0.11	0.12
0.75	12.50	0.14	0.14
1.00	16.67	0.16	0.16
2.00	33.34	0.23	0.19
5.00	83.35	0.32	0.31
7.50	125.03	0.42	0.94

\* Rain Bird recommends flow rates in the supply line not to exceed 2.3 m/s in order to reduce the effects of water hammer

### Dimensions

- Height: 11.7 cm
- Height (F): 14.3 cm
- Height (MM): 11.4 cm
- Length: 11.2 cm
- Length (MM): 14.4 cm
- Width: 7.9 cm

### Models

Select models shown. Review your regional price list for complete availability.

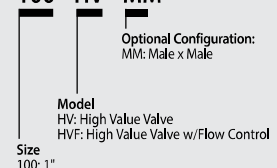
- I100-HV-BSP: 1" BSP female x female
- I100-HVF-BSP: 1" BSP female x female
- I100-HVF-BSP-9V: 1" BSP female x female, 9V DC Latching Solenoid
- I100-HV-MM: 1" male x male
- I100-HV-MM-9V: 1" male x male, 9V DC Latching Solenoid

### Recommendations

1. Rain Bird recommends flow rates that result in discharge velocities in the supply line not to exceed 2.3 m/s in order to reduce the effects of water hammer.
2. Rain Bird residential valves cannot be used with PRS pressure regulating modules.
3. Not recommended for use with 2-wire decoder systems like ESP-LXD.

### How to Specify

100 - HV - MM



Note: For non-U.S. applications it is necessary to specify NPT or BSP thread type (1" only)

## PGA Series

Plastic Globe and Angle Valves. The Toughest, Most Reliable Valves In their Class

### Features

- Water-tight seal between the body and bonnet for maximum confidence, even in the most extreme conditions
- Robust construction and electrical design for quiet performance you can count on
- Filtered pilot flow to resist debris and clogging
- Slow closing to prevent water hammer and subsequent system damage
- Normally closed, forward flow design Accepts latching solenoid for use with Rain Bird battery-operated controllers
- Multi-drive screws (Phillips, flathead, hexagonal) for easy maintenance\*
- Manual internal bleed operates the valve without allowing water into the valve box. This allows the pressure regulator to be adjusted without turning the valve on at the controller
- One-piece solenoid design with captured plunger and spring for easy servicing. Prevents loss of parts during field service
- Three-year trade warranty
- Accommodates optional, field-installed PRS-D pressure regulating dial to ensure optimum sprinkler performance
- Accepts latching solenoid for use with Rain Bird battery-operated controllers

### Options

- Accommodates optional, field installed PRS-D pressure regulating module to ensure optimum sprinkler performance
- Accepts latching solenoid for use with Rain Bird battery-operated controllers up to 10.35 bar
- Compatible with ESP-LXD decoders

### Specifications

- Pressure: 1.04 to 10.4 bar
- Flow without PRS-D option: 0.45 to 34.05 m<sup>3</sup>/h; 7.8 to 568 l/m
- Flow with PRS-D option: 1.14 to 34.05 m<sup>3</sup>/h; 19.2 to 568 l/m
- Water temperature: Up to 43° C
- Ambient temperature: Up to 52° C
- 24VAC 50/60Hz (cycles/sec) solenoid power requirement
- Inrush current: 0.41A (9.9VA) at 50/60Hz
- Holding current: 0.14A (3.43VA) at 50/60Hz
- Solenoid coil resistance: 30-39 Ohms, nominal



#### Extreme Durability

The PGA valve maintains a strong, worry-free seal between the body and bonnet, no matter the conditions. PGA valves were exposed to extreme temperature swings and intense pressures. The result—zero leaks.\*



#### Pressure-Resistant Seal

The PGA valve's body-to-bonnet seal is built to overcome the intense water pressure typical of many commercial sites. Faced with repeated pressure surges well into the triple digits, our valves outlasted the nearest competitor more than 2 1/2 times to 1.\*

### PGA Series Valve Pressure Loss (bar)

Flow m <sup>3</sup> /h	Flow l/m	100-PGA Globe 2.5cm	100-PGA Angle 2.5cm	150-PGA Globe 3.8cm	150-PGA Angle 3.8cm	200-PGA Globe 5.1cm	200-PGA Angle 5.1cm
0.5	7.6	0.35	0.30	-	-	-	-
1.2	20	0.38	0.35	-	-	-	-
3	50	0.41	0.38	-	-	-	-
6	100	0.43	0.38	0.10	0.07	-	-
9	150	0.48	0.51	0.22	0.14	0.08	0.07
12	200	-	-	0.38	0.23	0.12	0.07
15	250	-	-	0.61	0.36	0.17	0.10
18	300	-	-	0.86	0.51	0.24	0.13
21	350	-	-	1.16	0.70	0.33	0.18
24	400	-	-	-	-	0.43	0.23
27	450	-	-	-	-	0.54	0.30
30	500	-	-	-	-	0.66	0.36
34	568	-	-	-	-	0.83	0.45

### Dimensions

Model	Height	Length	Width
• 100-PGA	18.4 cm	14.0 cm	8.3 cm
• 150-PGA	20.3 cm	17.2 cm	8.9 cm
• 200-PGA	25.4 cm	19.7 cm	12.7 cm

Note: PRS-Dial adds 5.1 cm to valve height

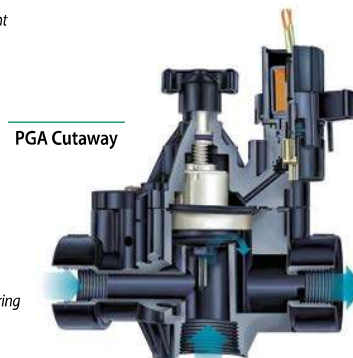
### Models

- 100-PGA: 1"
- 100-PGA-9V: 1"
- 150-PGA: 1 1/2"
- 150-PGA-9V: 1 1/2"
- 200-PGA: 2"
- 200-PGA-9V: 2"

BSP threads available; specify when ordering

### Recommendations

1. Rain Bird recommends flow rates in the supply line not to exceed 2.29 m/s in order to reduce the effects of water hammer
2. For flows below 1.14 m<sup>3</sup>/h; 19.2 l/m, Rain Bird recommends use of upstream filtration to prevent debris from collecting below the diaphragm
3. For flows below 2.27 m<sup>3</sup>/h; 37.8 l/m Rain Bird recommends the flow control stem be turned down two full turns from the fully open position



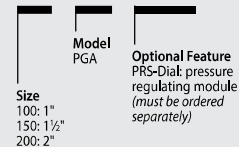
PGA Cutaway



150-PGA

### How to Specify

#### 100 - PGA - PRS-D



Note: Valve and PRS-Dial module must be ordered separately. For non-U.S. applications, it is necessary to specify NPT or BSP thread type.

\* Based on 2013 testing conducted at Rain Bird's Product Research Facility in Tucson, AZ.

## PGA-IVM Series

NEW

Plastic Globe and Angle Valves. The Toughest, Most Reliable Valves In their Class. Now available with the Integrated Valve Module "smart solenoid" (IVM-SOL) preinstalled

### Features

- **Best-in-Class Valves:** With industry-leading reliability and performance, the Rain Bird PGA Series of commercial valves are now even better with preinstalled IVM-SOL
- **Next Generation Two-Wire System:** The ESP-LXIVM Two-Wire Controller is the next leap forward—simplifying installation, improving reliability and enabling more troubleshooting features that save time
- **Performance and Reliability:** With 50% fewer connections, an IVM Smart Valve is already 200% more reliable out of the box versus using a valve and decoder
- Globe and angle configuration for flexibility in design and installation
- PVC and glass reinforced nylon construction
- Filtered pilot flow to resist debris and clogging of solenoid ports
- Slow closing to prevent water hammer and subsequent system damage
- Manual internal bleed operates the valve without allowing water into the valve box
- One-piece solenoid design with captured plunger and spring for easy servicing prevents loss of parts during field service
- Non-rising flow control handle adjusts water flows as needed
- Normally closed, forward flow design

### Options

- Accommodates optional, field installed PRS-D pressure regulating module to ensure optimum sprinkler performance. Regulates up to 6.9 bar

### Specifications

- Pressure: 1.04 to 10.4 bar
- Flow without PRS-D option: 0.45 to 34.05 m<sup>3</sup>/h; 7.8 to 568 l/m
- Flow with PRS-D option: 1.14 to 34.05 m<sup>3</sup>/h; 19.2 to 568 l/m
- Water temperature: Up to 43° C
- Ambient temperature: Up to 52° C
- 26.5 Vrms 50/60 Hz (cycles/sec) power requirement
- Inrush current: <40mA (Peak)
- Quiescent current: <0.4mA (ave.)
- Voltage range: 15.6 - 29.2 Vrms
- Compatible with LXIVM controllers



#### Extreme Durability

The PGA valve maintains a strong, worry-free seal between the body and bonnet, no matter the conditions. PGA valves were exposed to extreme temperature swings and intense pressures. The result—zero leaks.\*



#### Pressure-Resistant Seal

The PGA valve's body-to-bonnet seal is built to overcome the intense water pressure typical of many commercial sites. Faced with repeated pressure surges well into the triple digits, our valves outlasted the nearest competitor more than 2 1/2 times to 1.\*

### PGA-IVM Series Valve Pressure Loss (bar)

Flow m <sup>3</sup> /h	Flow l/m	IVM100	IVM100	IVM150	IVM150	IVM200	IVM200
		PGA Globe 2.5cm	PGA Angle 2.5cm	PGA Globe 3.8cm	PGA Angle 3.8cm	PGA Globe 5.1cm	PGA Angle 5.1cm
0.5	7.6	0.35	0.30	-	-	-	-
1.2	20	0.38	0.35	-	-	-	-
3	50	0.41	0.38	-	-	-	-
6	100	0.43	0.38	0.10	0.07	-	-
9	150	0.48	0.51	0.22	0.14	0.08	0.07
12	200	-	-	0.38	0.23	0.12	0.07
15	250	-	-	0.61	0.36	0.17	0.10
18	300	-	-	0.86	0.51	0.24	0.13
21	350	-	-	1.16	0.70	0.33	0.18
24	400	-	-	-	-	0.43	0.23
27	450	-	-	-	-	0.54	0.30
30	500	-	-	-	-	0.66	0.36
34	568	-	-	-	-	0.83	0.45

### Dimensions

Model	Height	Length	Width
• IVM100PGA	18.4 cm	14.0 cm	8.3 cm
• IVM150PGA	20.3 cm	17.2 cm	8.9 cm
• IVM200PGA	25.4 cm	19.7 cm	12.7 cm

Note: PRS-Dial adds 5.1 cm to valve height

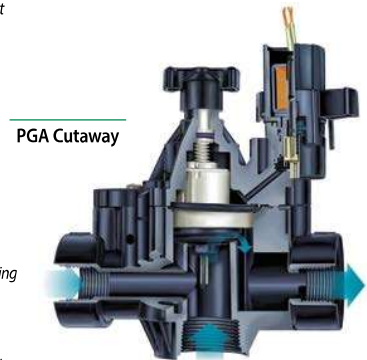
### Models

- IVM100PGA:  
1" Valve with IVM-SOL
- IVM150PGA:  
1.5" Valve with IVM-SOL
- IVM200PGA:  
2" Valve with IVM-SOL

BSP threads available; specify when ordering

### Recommendations

1. Rain Bird recommends flow rates in the supply line not to exceed 2.29 m/s in order to reduce the effects of water hammer
2. For flows below 1.14 m<sup>3</sup>/h; 19.2 l/m, Rain Bird recommends use of upstream filtration to prevent debris from collecting below the diaphragm
3. For flows below 2.27 m<sup>3</sup>/h; 37.8 l/m Rain Bird recommends the flow control stem be turned down two full turns from the fully open position



IVM150PGA

### How to Specify

#### IVM100 - PGA - PRS-D

Size  
100: 1" NPT  
150: 1 1/2" NPT  
200: 2" NPT

Optional Feature  
PRS-Dial: pressure regulating module (must be ordered separately)

Model  
PGAIVM

Note: Valve and PRS-Dial module must be ordered separately. For non-U.S. applications, it is necessary to specify NPT or BSP thread type.

## PEB / PESB Series

Best-in-class Professional Series Plastic Irrigation Valves

### Features

- Durable glass-filled nylon construction with fabric-reinforced rubber diaphragm for long life and reliable performance
- Globe configuration
- Normally closed, forward flow design
- Slow closing to prevent water hammer and subsequent system damage
- Low flow capability for a wide range of applications
- One-piece solenoid design with captured plunger and spring for easy servicing. Prevents loss of parts during field service
- Flow control handle adjusts water flows as needed
- Manual internal bleed manually operates the valve without allowing water into the valve box; allows pressure regulator to be adjusted without turning the valve on at the controller first
- Manual external bleed permits flushing debris from the system. Recommended for system start up and after repairs
- Stainless steel studs molded into the body. Bonnet can be attached and removed more easily and more often without damaging threads
- Nylon scrubber scrapes a stainless steel screen to clean and break down grit and plant material. Prevents debris build-up and clogging (PESB Series only)
- Five-year trade warranty

### Specifications

- Pressure: 1.4 to 13.8 bar
- Flow without PRS-D option: 0.06 to 45 m<sup>3</sup>/h; 0.02 to 12.60 l/s
- Flow with PRS-D option: 1.14 to 68 m<sup>3</sup>/h; 0.32 to 18.9 l/s
- Temperature: Up to 66° C
- 24VAC 50/60Hz (cycles/sec) solenoid power requirement
- Inrush current: 0.41A (9.9VA) at 50/60Hz
- Holding current: 0.14A (3.43VA) at 50/60Hz
- Solenoid coil resistance: 30-39 Ohms, nominal

### Options

- Accommodates optional, field installed PRS-D pressure regulating module to ensure optimum sprinkler performance. Regulates up to 6.9 bar
- Accepts latching solenoid for use with Rain Bird battery-operated controllers up to 10,35 bar
- Compatible with ESP-LXD decoders
- Optional purple flow control handle for non-potable water applications PEB-NP-HAN1 (1"); PEB-NP-HAN2 (1 1/2" and 2"); BPE-NP-HAN (3")



150-PEB



150-PESB



PEB-NP-HAN

### How to Specify

#### 100 - PEB - PRS-D

Size 100: 1" 150: 1 1/2" 200: 2" 300: 3"	Model PEB PESB	Optional Feature PRS-Dial: pressure regulating module (must be ordered separately)
--	----------------------	--

Note: Valve and PRS-Dial module must be ordered separately. For non-U.S. applications, it is necessary to specify NPT or BSP thread type.

**Dimensions**

Model	Height	Length	Width
• 100-PEB and 100-PESB:	16.5 cm	10.2 cm	10.2 cm
• 150-PEB and 150-PESB:	20.3 cm	15.2 cm	15.2 cm
• 200-PEB and 200-PESB:	20.3 cm	15.2 cm	15.2 cm
• 300-PESB:	34.6 cm	20.3 cm	17.8 cm

*Note: The PRS-Dial option adds 5.1 cm to valve height*

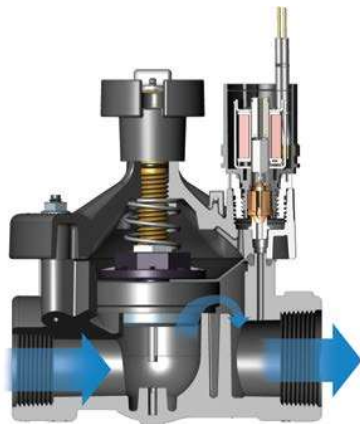
**Models**

- 100-PEB and 100-PESB: 1"
- 150-PEB and 150-PESB: 1½"
- 200-PEB and 200-PESB: 2"
- 300-PESB: 3" NEW

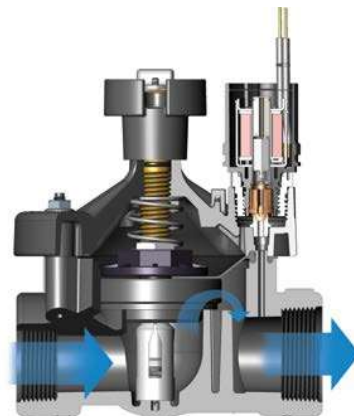
*BSP threads available; specify when ordering*

**Recommendations**

1. Rain Bird recommends flow rates in the supply line not to exceed 2.29 m/s in order to reduce the effects of water hammer
2. For flows below 1.14 m³/h; 19.2 l/m, Rain Bird recommends use of upstream filtration to prevent debris from collecting below the diaphragm
3. For flows below 2.27 m³/h; 37.8 l/m Rain Bird recommends the flow control stem be turned down two full turns from the fully open position
4. For PRS-Dial applications, Rain Bird recommends the installation of a pressure-regulating master valve or inline pressure regulator when the inlet pressure exceeds 6.9 bar



PEB Cutaway



PESB Cutaway

PEB and PESB Series Valve Pressure Loss (bar)				METRIC
Flow m³/h	Flow l/m	100-PEB 2.5cm	150-PEB 3.8cm	200-PEB 5.1cm
0.06	1	0.06	-	-
0.3	5	0.09	-	-
0.6	10	0.10	-	-
1.2	20	0.12	-	-
3	50	0.15	-	-
6	100	0.32	0.26	-
9	150	0.68	0.24	-
12	200	-	0.26	0.33
15	250	-	0.33	0.32
18	300	-	0.42	0.32
21	350	-	0.57	0.34
24	400	-	0.74	0.41
27	450	-	0.92	0.51
30	500	-	1.14	0.64
33	550	-	1.38	0.77
36	600	-	-	0.90
39	650	-	-	1.04
42	700	-	-	1.18
45	757	-	-	1.34

300 PESB Series Valve Pressure Loss (bar)			METRIC
Flow m³/h	Flow l/m	300-PESB 3" (Globe)	300-PESB 3" (Angle)
13.63	227.12	0.46	0.47
18.17	302.83	0.35	0.41
22.71	378.54	0.22	0.24
27.25	454.25	0.12	0.12
31.80	529.96	0.12	0.14
36.34	605.66	0.14	0.14
40.88	681.37	0.15	0.14
45.42	757.08	0.19	0.17
56.78	946.35	0.28	0.23
68.14	1135.62	0.34	0.31

**Notes**

1. Loss values are with flow control fully open
2. PRS-Dial recommended for use in shaded area only

Valves

## PE-IVM Series

NEW

Best-in-class Professional Series Plastic Irrigation Valves. Now available with the Integrated Valve Module "smart solenoid" (IVM-SOL) preinstalled

### Features

- **Best-in-Class Valves:** With industry-leading reliability and performance, the Rain Bird PEB/PESB Series of commercial valves are now even better with preinstalled IVM-SOL
- **Next Generation Two-Wire System:** The ESP-LXIVM Two-Wire Controller is the next leap forward—simplifying installation, improving reliability and enabling more troubleshooting features that save time
- **Performance and Reliability:** With 50% fewer connections, an IVM Smart Valve is already 200% more reliable out of the box versus using a valve and decoder
- Body constructed of durable glass-filled nylon for long life and heavy-duty performance at 13.80 bar pressure
- Stainless steel studs molded into the body. Bonnet can be attached and removed more easily without damaging threads
- One-piece solenoid design with captured plunger and spring for easy servicing. Prevents loss of parts during field service
- External bleed protects the solenoid ports from debris when system is flushed
- Internal bleed operates the valve without allowing water into the valve box; allows pressure regulator to be adjusted without turning on the valve at the controller first
- Low flow operating capability (0.06 m<sup>3</sup>/h; 1.2 l/m) for a wide range of applications. For flows below 1.14 m<sup>3</sup>/h; 19.2 l/m or any Xerigation® application, install Rain Bird Y filter upstream
- Slow closing to prevent water hammer and subsequent system damage
- **PESBIVM only:** Scrubber scrapes its stainless steel screen clean to break down grit and plant material. Prevents debris build-up and clogging

### Options

- Accommodates optional, field installed PRS-D pressure regulating module to ensure optimum sprinkler performance. Regulates up to 6.9 bar
- Optional purple flow control handle for non-potable water applications PEB-NP-HAN1 (1"); PEB-NP-HAN2 (1 1/2" and 2")

### Specifications

- Pressure: 1.4 to 13.8 bar
- Flow without PRS-D option: 0.06 to 45 m<sup>3</sup>/h; 0.02 to 12.60 l/s
- Flow with PRS-D option: 1.14 to 45 m<sup>3</sup>/h; 0.32 to 12.60 l/s
- Temperature: Up to 66° C
- 26.5 Vrms 50/60 Hz (cycles/sec) power requirement
- Inrush current: <40mA (Peak)
- Quiescent current: <0.4mA (ave.)
- Voltage Range: 15.6 - 29.2 Vrms
- Compatible with LXIVM controllers



IVM150PESB

PE-IVM Series Valve Pressure Loss (bar)				METRIC	
Flow m <sup>3</sup> /h	Flow l/m	IVM100PEB 2.5cm	IVM150PEB 3.8cm	IVM200PEB 5.1cm	
0.06	1	0.06	-	-	
0.3	5	0.09	-	-	
0.6	10	0.10	-	-	
1.2	20	0.12	-	-	
3	50	0.15	-	-	
6	100	0.32	0.26	-	
9	150	0.68	0.24	-	
12	200	-	0.26	0.33	
15	250	-	0.33	0.32	
18	300	-	0.42	0.32	
21	350	-	0.57	0.34	
24	400	-	0.74	0.41	
27	450	-	0.92	0.51	
30	500	-	1.14	0.64	
33	550	-	1.38	0.77	
36	600	-	-	0.90	
39	650	-	-	1.04	
42	700	-	-	1.18	
45	757	-	-	1.34	

### Notes

1. Loss values are with flow control fully open
2. PRS-Dial recommended for use in shaded area only

### Dimensions

Model	Height	Length	Width
• IVM100PEB / IVM100PESB:	16.5 cm	10.2 cm	10.2 cm
• IVM150PEB / IVM150PESB:	20.3 cm	15.2 cm	15.2 cm
• IVM200PEB / IVM200PESB:	20.3 cm	15.2 cm	15.2 cm

Note: The PRS-Dial option adds 2" (5.1 cm) to valve height

### Models

- IVM100PEB and IVM100PESB: 1" NPT
- IVM150PEB and IVM150PESB: 1½" NPT
- IVM200PEB and IVM200PESB: 2" NPT

BSP threads available; specify when ordering

### Recommendations

1. Rain Bird recommends flow rates in the supply line not to exceed 2.29 m/s in order to reduce the effects of water hammer
2. For flows below 1.14 m<sup>3</sup>/h; 19.2 l/m, Rain Bird recommends use of upstream filtration to prevent debris from collecting below the diaphragm
3. For flows below 2.27 m<sup>3</sup>/h; 37.8 l/m Rain Bird recommends the flow control stem be turned down two full turns from the fully open position
4. For PRS-Dial applications, Rain Bird recommends the installation of a pressure-regulating master valve or inline pressure regulator when the inlet pressure exceeds 6.9 bar



PEB Cutaway

### How to Specify

#### IVM100 - PEB - PRS-D

Size  
100: 1" NPT  
150: 1½" NPT  
200: 2" NPT

Optional Feature  
PRS-Dial: pressure regulating module (must be ordered separately)

Model  
PEBIVM  
PESBIVM: Scrubber model

Note: Valve and PRS-Dial module must be ordered separately. For non-U.S. applications, it is necessary to specify NPT or BSP thread type.

## EFB-CP Series Brass Valves

Highly durable Brass Irrigation Valves - Globe Configuration

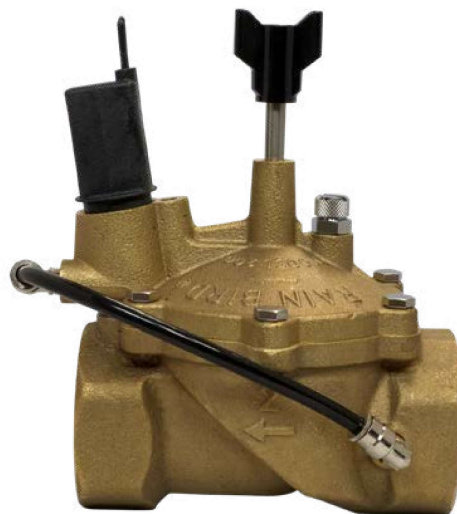
### Features

- Reliable performance even in dirty water applications. Self-flushing filter resists debris build-up
- Rugged red brass construction for longer life
- Durable, fabric-reinforced diaphragm composed of EPDM, a rubber material which is chlorine and chemical resistant
- Normally closed, reverse flow design ensures valve will fail in the closed position if a tear or rip in the diaphragm occurs. Prevents flooding, water waste and landscape damage
- Slow closing to prevent water hammer and subsequent system damage
- One-piece solenoid design with captured plunger and spring for easy servicing. Prevents loss of parts during field service
- Manual internal bleed operates the valve without allowing water into the valve box. Allows pressure regulator adjustment without turning on the controller
- Manual external bleed permits flushing debris from the system. Recommended for system start up and other repairs
- Contamination-proof, self-flushing filter screen resists debris build-up. Water flow continuously flushes the screen, dislodging particles and debris before they can accumulate and clog the filter
- Reclaimed water compatible: all models now feature EPDM diaphragms and chlorine-resistant parts as standard equipment
- Three-year trade warranty



EFB-CP Series Brass Valve

Valves



200-EFB-CP

### How to Specify

#### 100 - EFB-CP - PRS-D

Size	Model	Optional Feature
100: 1" NPT 150: 1½" NPT 200: 2" NPT	EFB-CP	PRS-Dial: pressure regulating module (must be ordered separately)

Note: Valve and PRS-Dial module must be ordered separately.

## EFB-CP Series Brass Valves (cont.)

### Options

- Accommodates optional, field installed PRS-D pressure regulating module to ensure optimum sprinkler performance. Regulates up to 6.9 bar
- Accepts latching solenoid for use with Rain Bird battery-operated controllers up to 10.35 bar
- Compatible with ESP-LXD decoders
- Optional purple flow control handle for non-potable water applications IVMEFBHANB

### Specifications

- Pressure: 1.04 to 13.80 bar
- Flow with/without PRS-D: 1.14 to 45.40 m<sup>3</sup>/h; 0.32 to 12.60 l/s
- Temperature: up to 66° C
- 24VAC 50/60Hz (cycles/sec) solenoid power requirement
- Inrush current: 0.21A (5.0VA) at 50/60Hz
- Holding current: 0.10A (2.4VA) at 50/60Hz
- Solenoid coil resistance: 45-55 Ohms (50 nominal)

### Dimensions

Model	Height	Length	Width
• 100-EFB-CP:	15.2 cm	11.4 cm	8.3 cm
• 150-EFB-CP:	16.5 cm	14 cm	11.4 cm
• 200-EFB-CP:	17.8 cm	17.1 cm	14.6 cm

**Note:** The PRS-Dial option adds 2" (5.1 cm) to the valve height

### Models

- 100-EFB-CP: 1" NPT
- 150-EFB-CP: 1½" NPT
- 200-EFB-CP: 2" NPT\*

\* BSP threads available; specify when ordering

### Recommendations

1. Rain Bird recommends flow rates in the supply line not to exceed 2.29 m/s in order to reduce the effects of water hammer
2. For flows below 1.14 m<sup>3</sup>/h; 19.21 l/m, Rain Bird recommends use of upstream filtration to prevent debris from collecting below the diaphragm
3. For flows below 2.27 m<sup>3</sup>/h; 37.8 l/m Rain Bird recommends the flow control stem be turned down two full turns from the fully open position

EFB-CP Series Valve Pressure Loss (bar)					METRIC
Flow m <sup>3</sup> /h	Flow l/m	100-EFB-CP 2.5cm	150-EFB-CP 3.8cm	200-EFB-CP 5.1cm	
1	19	0.01	-	-	
3	50	0.07	-	-	
6	100	0.27	0.19	0.04	
9	150	0.56	0.14	0.05	
12	200	-	0.25	0.09	
15	250	-	0.38	0.14	
18	300	-	0.51	0.16	
21	350	-	0.70	0.23	
24	400	-	0.91	0.30	
27	450	-	1.13	0.40	
30	500	-	-	0.49	
33	550	-	-	0.58	
36	600	-	-	0.68	
39	650	-	-	0.79	
42	700	-	-	0.92	
45	757	-	-	1.09	

### Notes

1. Loss values are with flow control fully open
2. PRS-Dial module recommended for all flow rates

## EFB-CP IVM Series Brass Valves NEW

Classic Hardware. Innovative Performance.

### Features

- Best-in-Class Valves: With industry-leading reliability and performance, the Rain Bird EFB-CP Series of commercial valves are now even better with preinstalled IVM-SOL
- Next Generation Two-Wire System: The ESP-LXIVM Two-Wire Controller is the next leap forward—simplifying installation, improving reliability and enabling more troubleshooting features that save time
- Performance and Reliability: With 50% fewer connections, an IVM Smart Valve is already 200% more reliable out of the box versus using a valve and decoder
- Reliable performance even in dirty water applications. Self-flushing filter resists debris build-up
- Rugged red brass construction for longer life
- Normally closed, reverse flow design ensures valve will fail in the closed position if a tear or rip in the diaphragm occurs. Prevents flooding, water waste and landscape damage
- Slow closing to prevent water hammer and subsequent system damage
- One-piece solenoid design with captured plunger and spring for easy servicing. Prevents loss of parts during field service
- Manual internal bleed operates the valve without allowing water into the valve box. Allows pressure regulator adjustment without turning on the controller
- Manual external bleed permits flushing debris from the system. Recommended for system start up and other repairs
- Contamination-proof, self-flushing filter screen resists debris build-up. Water flow continuously flushes the screen, dislodging particles and debris before they can accumulate and clog the filter
- Reclaimed water compatible: all models now feature EPDM diaphragms and chlorine-resistant parts as standard equipment
- **Options (order separately)**
- Accommodates optional, field installed PRS-D pressure regulating module to ensure optimum sprinkler performance
- Optional purple flow control handle for non-potable water applications: P/N 236927, IVMEFBHANB

### Specifications

- Pressure: 1.04 to 13.80 bar
- Flow with/without PRS-D: 1.14 to 45.40 m<sup>3</sup>/h; 0.32 to 12.60 l/s
- Temperature: up to 66° C

### Electrical Specifications

- Power: 26.5 Vrms 50/60 Hz (cycles/sec)
- Inrush current: <40mA (Peak)
- Quiescent current: <0.4mA (ave.)
- Voltage Range: 15.6 - 29.2 Vrms
- Compatible with LXIVM controllers



EFB-CP Series Brass Valve

Valves

### How to Specify

<b>IVM</b>	<b>100</b>	<b>EFB</b>
Size	Model	
100: 1" NPT	EFB-CP	
150: 1½" NPT		
200: 2" NPT		

Preinstalled  
IVM-SOL  
Solenoid

Note: Valve and PRS-Dial module must be ordered separately.

## EFB-CP IVM Series Brass Valves (cont.)

### Dimensions

Model	Height	Length	Width
• IVM100EFB:	15.2 cm	11.4 cm	8.3 cm
• IVM150EFB:	16.5 cm	14 cm	11.4 cm
• IVM200EFB:	17.8 cm	17.1 cm	14.6 cm

**Note:** The PRS-Dial option adds 5.1 cm to the valve height

### Models

- IVM100EFB: 1" Brass Valve with IVM-SOL
- IVM150EFB: 1½" Brass Valve with IVM-SOL
- IVM200EFB: 2" Brass Valve with IVM-SOL

### Recommendations

1. Rain Bird recommends flow rates in the supply line not to exceed 2.29 m/s in order to reduce the effects of water hammer
2. For flows below 1.14 m<sup>3</sup>/h; 19.21 l/m, Rain Bird recommends use of upstream filtration to prevent debris from collecting below the diaphragm
3. For flows below 2.27 m<sup>3</sup>/h; 37.8 l/m Rain Bird recommends the flow control stem be turned down two full turns from the fully open position

EFB-CP IVM Series Valve Pressure Loss (bar)					METRIC
Flow m <sup>3</sup> /h	Flow l/m	IVM100EFB 2.5cm	IVM150EFB 3.8cm	IVM200EFB 5.1cm	
1	19	0.01	-	-	
3	50	0.07	-	-	
6	100	0.27	0.19	0.04	
9	150	0.56	0.14	0.05	
12	200	-	0.25	0.09	
15	250	-	0.38	0.14	
18	300	-	0.51	0.16	
21	350	-	0.70	0.23	
24	400	-	0.91	0.30	
27	450	-	1.13	0.40	
30	500	-	-	0.49	
33	550	-	-	0.58	
36	600	-	-	0.68	
39	650	-	-	0.79	
42	700	-	-	0.92	
45	757	-	-	1.09	

### Notes

1. Loss values are with flow control fully open
2. PRS-Dial module recommended for all flow rates

## 300-BPES Brass Valves

3" Brass Master Valve - Globe and angle configuration

### Features

- Unique hybrid construction featuring durable red brass body and glass-filled nylon bonnet for long life at a value price
- Normally closed, forward flow design
- Slow closing to prevent water hammer and subsequent system damage
- Robust solenoid provides dependable performance even during constant operation
- Flow control handle adjusts water flows as needed and incorporates a brass thread insert for longer life
- Manual internal bleed operates the valve without allowing water into the valve box. Allows pressure regulator adjustment without turning the valve on at the controller
- Manual external bleed permits flushing debris from the system. Recommended for system start up and repairs
- Highly efficient operation with extremely low pressure loss
- Patented nylon scrubber scrapes a stainless steel screen to clean and break down grit and plant material. Prevents debris build-up and clogging
- Three-year trade warranty

### Options

- Accommodates field-installed PRS-D pressure regulating module to ensure optimum sprinkler performance
- Purple flow control handle for non-potable water applications (BPE-NP-HAN)
- Latching solenoid for use with Rain Bird battery-operated controllers up to 10.4 bar

### Specifications

- Pressure: 1.4 to 13.8 bar
- Flow with/without PRS-D option: 13.6 to 68.1 m<sup>3</sup>/h; 3.78 to 18.90 l/s
- Temperature: up to 60° C
- Power: 24 VAC 50/60 Hz (cycles/sec) solenoid
- Inrush current: 0.41 A (9.8 VA) at 50/60Hz
- Holding current: 0.14 A (3.43 VA) at 50/60Hz
- Coil resistance: 30-39 Ohms, nominal

### Dimensions

Model	Height	Length	Width
• 300	34.61 cm	20.32 cm	17.78 cm

### Models

- 300-BPES: 3" NPT

BSP threads available; specify when ordering

### Recommendations

1. Rain Bird recommends flow rates in the supply line not to exceed 2.29 m/s in order to reduce the effects of water hammer.
2. For flows below 1.14 m<sup>3</sup>/h; 19.2 l/m, Rain Bird recommends use of upstream filtration to prevent debris from collecting below the diaphragm.
3. For flows below 2.27 m<sup>3</sup>/h; 37.8 l/m Rain Bird recommends the flow control stem be turned down two full turns from the fully open position.

### BPES 3" Valve Pressure Loss (bar)

Flow m <sup>3</sup> /h	l/s	Globe	Angle
13.6	227	0.46	0.47
24	400	0.19	0.21
36	600	0.14	0.14
48	800	0.21	0.19
60	1000	0.29	0.26
68	1136	0.34	0.31

#### Notes

1. Loss values are with flow control fully open
2. PRS-Dial module recommended for all flow rates



300-BPES



BPES Cutaway

### How to Specify

#### 300 - BPES - PRS-D

Size  
3"

Model  
BPES

Optional Feature  
PRS-Dial: pressure  
regulating module  
(must be ordered  
separately)

Note: Valve and PRS-Dial module must be ordered separately. For non-U.S. applications, it is necessary to specify NPT or BSP thread type.

## PVC Manifold System

Complete Male and Female Manifold System

### Features

- Telescoping Manifold System allows valve replacement (with different lay lengths) without any cutting or adding new parts
- Big O-Rings to insure no leaking
- Parts are all hand tightened
- Female valve connectors connect directly to male valves without the need for an adapter
- Male Valve Connectors connect directly to female valves without the need for a coupling
- No Teflon® tape needed for assembly

### Specifications

- Operating Pressure: 10,5 bar

### Models

Select models shown. Review your regional price list for complete availability.

#### RB 1300 Series - Male Valve Connectors

- RB1301-010: Union Tee 1" F X 1" M Swivel X 1" M
- RB1301-210: 1" F X 2 outlets 1" M Swivel X 1" M
- RB1303-010: Tee double Swivel 2 outlets 1" M Swivel X 1" F
- RB1306-010: Union Elbow 1" M X 1" M Swivel
- RB1312-010: Union Elbow 1" F X 1" M Swivel
- RB1320-010: Union Cross 1" F X 2 outlets 1" M Swivel X 1" M
- RB1330-010: Union Coupling 1" F X 1" F
- RB1330-131: Union Coupling 1" F X ¾" F
- RB1348-010: Cap 1" F
- RB1301-310: 3 outlet manifold 1" F X 3 outlets 1" M Swivel X 1" M
- RB1301-410: 4 outlet manifold 1" F X 4 outlets 1" M Swivel X 1" M

#### RB 1200 Series - Female Valve Connectors

- RB1201-010: Union Tee 1" F X 1" F Swivel X 1" M
- RB1201-210: 1" F X 2 outlets 1" F Swivel X 1" M
- RB1203-010: Tee double Swivel 2 outlets 1" F Swivel X 1" F
- RB1206-010: Union Elbow 1" M X 1" F Swivel
- RB1212-010: Union Elbow 1" F X 1" F Swivel
- RB1220-010: Union Cross 1" F X 1" F Swivel X 1" F Swivel X 1" M
- RB1234-010: 1" Euro adapter
- RB1201-310: 3 outlet manifold M 1" F X 3 outlets 1" F Swivel X 1" M
- RB1201-410: 4 outlet manifold M 1" F X 4 outlets 1" F Swivel X 1" M
- RB1239-131: Adapter 1" M X ¾" F
- RB1282-010: Adapter 1" M X 1" M
- RB1282-131: Adapter 1" M X ¾" M



RB 1200 SERIES



RB 1300 SERIES

## MTT-100

Manifold Tee For Electric Valves

### Application

- Manifold tee used to build a valve manifold for 1" (26/34) BSP female threaded valves

### Features

- No tools required
- O-Ring permits watertight connection between tees (no Teflon required)
- Properly spaces valves
- Used to form a valve manifold to accommodate any desired number of valves (1 MTT-100 per electric valve)

### Specifications

- Pressure: up to 10 bars
- 1" male x 1" (26/34) male (with O-ring) x 1" (26/34) female BSP

### Dimensions

- Length: 12 cm

### Model

Select models shown. Review your regional price list for complete availability.

- MTT-100



## PRS-Dial

Pressure Regulating Module

### Features

- The PRS-Dial is an excellent means of regulating outlet pressure at the valve regardless of incoming pressure fluctuations. The visible scale makes adjustment quick and easy. The regulator fits all Rain Bird PGA, PEB, PESB, PESB-R, EFB-CP, and BPES series valves
- Regulates and maintains constant outlet pressure between 1.04 to 6.9 bar within  $\pm 0.21$  bar
- Ergonomic design with snap-tight cover to prevent vandalism
- Waterproof dial cartridge eliminates fogging and binding
- Dial cartridge retrofits into all existing PRS-D units
- Schrader valve connects pressure hose gauge
- Easy field installation. PRS-Dial threads underneath the solenoid and adapter
- Corrosion-resistant glass-filled nylon for rugged performance

### Operating Range

- Pressure: Up to 6.9 bar\*
- Regulation: 1.04 to 6.9 bar
- Flow: Refer to chart

\* While the PRS-Dial unit can withstand pressures up to 13.8 bar, accurate pressure regulation can be maintained only up to 6.9 bar

### Model

- PRS-D

### Application Information

- Proper operation requires inlet pressure to be a minimum of 1.04 bar higher than desired outlet pressure
- For areas with very high pressure or uneven terrain, install sprinklers with PRS pressure regulating stems and/or SAM check valves
- When inlet pressure exceeds 6.9 bar, a pressure regulating master valve or inline pressure regulator is recommended
- Rain Bird does not recommend using the pressure regulating module for applications outside the recommended flow ranges
- To reduce the effects of water hammer, Rain Bird recommends flow rates in the supply line not to exceed 2.29 m/s
- For flows below 2.27 m<sup>3</sup>/h; 37.8 l/m, Rain Bird recommends the flow control stem be turned down two full turns from the fully open position

† Note: Valve and PRS-Dial module must be ordered separately.

### Valve Flow Ranges\*

Model	m <sup>3</sup> /h	l/m
100-PGA	1.14-9.08	19.2-151
150-PGA	6.81-22.70	113-378
200-PGA	9.08-34.05	151-568
100-PEB	1.14-11.35	19.2-189
150-PEB	4.54-34.05	76-568
200-PEB	17.03-45.40	284-757
300-PEB	13.62-68.10	227-1136
100-PESB/PESB-R	1.14-11.35	19.2-189
150-PESB/PESB-R	4.54-34.05	76-568
200-PESB/PESB-R	17.03-45.40	284-757
100-EFB-CP	1.14-11.35	19.2-189
125-EFB-CP	4.54-18.16	76-302
150-EFB-CP	4.54-31.78	76-529
200-EFB-CP	4.54-45.40	76-757
300-BPES	13.62-68.10	227-1136

\*These are the valve flow ranges.



## RC Series: 5LRC

Brass Quick-Coupling Valves and Keys

### Applications

Quick-Coupling valves provide underground water supply outlets for installations ranging from residential lawns to city parks. They are installed flush to grade and are used in conjunction with above grade sprinklers or hose.

### Features

- Brass construction
- Key is inserted into top of the valve. A turn of the key opens the valve and releases the water. Remove the key to close the valve
- Thermoplastic cover for durability
- Stainless steel internal valve spring prevents leakage

### Specifications

- 5LRC
- Flow: 7.0 to 16.0 m<sup>3</sup>/h
- Pressure: 0.4 to 8.6 bar

### Quick-Coupling Valves Pressure Loss (bar)

Flow (m <sup>3</sup> /h)	5LRC
7.0	0.30 bar
8.0	0.40 bar
9.0	0.50 bar
10.0	0.61 bar
12.0	0.85 bar
14.0	1.15 bar
16.0	1.48 bar

### Dimensions

- 5LRC - Height: 14.0 cm

### Models

Select models shown. Review your regional price list for complete availability.

- 33DK: Valve key ¾" male and ½" female threads
- 5LRC: 1" BSP female threaded inlet with locking rubber cover
- 55K-1: Valve key 1" BSP male threads



5LRC

## SH Series: SHO and SH2BSP

Brass Swivel Hose Ell

### Applications

The SHO/SH2BSP are connected to the 33DK/55K-1 Quick-Coupling Valve keys. Hose can be pulled in any direction - full 360° swivel - without kinking.

### Features

- Brass construction
- O-Ring seal
- Used in conjunction with the 33DK/55K-1 keys

### Specifications

#### SHO

- Female threaded inlet: ¾"
- Male threaded outlet: ¾"

#### SH2BSP

- Female threaded inlet: 1"
- Male threaded outlet: 1"

### Models

Select models shown. Review your regional price list for complete availability.

- SHO: Swivel Hose Ell ¾"
- SH2BSP: Swivel Hose Ell 1"



SHO

## P-33 Series: P-33 / P-33DK

Plastic Quick-Coupling Valve and Key

### Applications

These Quick-Coupling Valves permit easy access to water from an underground piping system and can be used in conjunction with hose for manual irrigation or cleaning driveways, sidewalks, etc.

### Features

- Used in conjunction with P-33DK "turn and lock" key with ribbed grip
- Delrin™ valve cage
- 2-piece valve body design. 1-piece key
- Stainless steel spring
- Cover snaps on valve body to keep out debris
- Impact resistant plastic with UV-inhibitors
- O-Ring seal

### Specifications

- Maximum operating pressure: 6.2 bars
- Valve: ¾" male threaded inlet
- Key: ¾" male threaded outlet
- ¾" female threaded inlet; ¾" (20/27) male threaded outlet

### P-33 Series Quick-Coupling Valves Pressure Loss (bar)

Flow (m <sup>3</sup> /h)	P-33
2.5	< 0.1
3.0	-0.13
3.5	-0.18
4.0	-0.23
4.5	-0.29
5.0	-0.35

### Dimensions

- Height P-33 Quick Coupling Valve: 13.8 cm
- Height P-33DK Key: 18.0 cm

### Models

Select models shown. Review your regional price list for complete availability.

- P-33: Quick Coupling Valve
- P-33DK: Valve Key for P-33



P-33



P-33DK

## VBA-Series

Polypro Valve Boxes - Valve Boxes with the Best Value for Money.

### Applications

Rectangular and round valve boxes made of plastic permit easy access to electric and manual valves and other equipment used in automatic irrigation installations. These valve boxes are highly recommended for residential systems

### Features

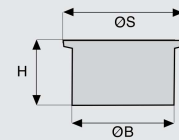
- Boxes made of black polypropylene. Green cover made of same material
- Cover included (except extensions)
- Extensions available for models VBA02674 and VBA02675
- Aesthetic, lightweight, and nest within each other to reduce freight costs
- Lockable cover
- Exclusive T-COVER
- Easy to identify : Molded model number and Rain Bird marking
- Easy to open : Built-in hole and built-in notch for 2 in 1 lifting key
- Pre-cut pipe inlets and outlets. No tools required

### Models

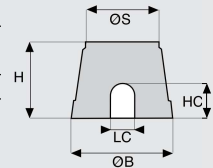
Select models shown (see table below).  
Review your regional price list for complete availability.

### Dimensions

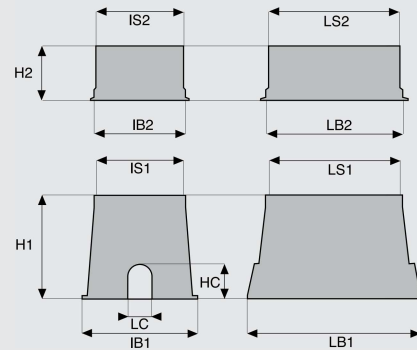
Round valve boxes	VBA17186
ØS Diameter	210 mm
ØB Diameter	180 mm
H Height	120 mm



Round valve boxes	VBA02672	VBA02673
ØS Diameter	160 mm	242 mm
ØB Diameter	200 mm	335 mm
H Height	236.5 mm	255 mm
LC Slots for pipe (Width)	67 mm	52 mm
HC Slots for pipe (Height)	64 mm	89 mm



Extensions	VBA02676	VBA07777
LS2 Length	382 mm	530 mm
IS2 Width	255 mm	380 mm
H2 Height	180 mm	190 mm
LB2 Length	394 mm	550 mm
IB2 Width	266 mm	380 mm
Rectangular valve boxes	VBA02674	VBA02675
LS1 Length	386 mm	545 mm
IS1 Width	267 mm	380 mm
H1 Height	305 mm	305 mm
LB1 Length	505 mm	630 mm
IB1 Width	370 mm	480 mm
LC Slots for pipe (Width)	70 mm	80 mm
HC Slots for pipe (Height)	105 mm	105 mm



Round irrigation hydrant	7 Inch Round Valve Box	10 Inch Round Valve Box	Standard Extension	Jumbo Extension	Standard Valve Box	Jumbo Valve Box
<b>ADDITIONAL FEATURES</b>						
<ul style="list-style-type: none"> <li>• Boxes made of black polypropylene. Green cover made of same material</li> <li>• Aesthetic, lightweight, and nest within each other to reduce freight costs</li> <li>• Round irrigation hydrant with built-in ¾" (20/27) valve</li> </ul>	<ul style="list-style-type: none"> <li>• Boxes made of black polypropylene. Green cover made of same material</li> <li>• Cover included</li> <li>• Aesthetic, lightweight, and nest within each other to reduce freight costs</li> </ul>	<ul style="list-style-type: none"> <li>• Boxes made of black polypropylene. Green cover made of same material</li> <li>• Cover included</li> <li>• Aesthetic, lightweight, and nest within each other to reduce freight costs</li> </ul>	<ul style="list-style-type: none"> <li>• Extensions available for models VBA02674</li> <li>• Aesthetic, lightweight, and nest within each other to reduce freight costs</li> </ul>	<ul style="list-style-type: none"> <li>• Extensions available for models VBA02675</li> <li>• Aesthetic, lightweight, and nest within each other to reduce freight costs</li> </ul>	<ul style="list-style-type: none"> <li>• Boxes made of black polypropylene. Green cover made of same material</li> <li>• Cover included</li> <li>• Extensions available</li> <li>• Aesthetic, lightweight, and nest within each other to reduce freight costs</li> <li>• Lockable cover</li> <li>• Exclusive T-COVER:                             <ul style="list-style-type: none"> <li>- Easy to identify : Molded model number and Rain Bird Marking</li> <li>- Easy to open : Built-in hole and Built-in notch for 2 in 1 lifting key</li> </ul> </li> <li>• Pre-cut pipe inlets and outlets : No tools required</li> </ul>	<ul style="list-style-type: none"> <li>• Boxes made of black polypropylene. Green cover made of same material</li> <li>• Cover included</li> <li>• Extensions available</li> <li>• Aesthetic, lightweight, and nest within each other to reduce freight costs</li> <li>• Lockable cover</li> <li>• Exclusive T-COVER:                             <ul style="list-style-type: none"> <li>- Easy to identify : Molded model number and Rain Bird Marking</li> <li>- Easy to open : Built-in hole and Built-in notch for 2 in 1 lifting key</li> </ul> </li> <li>• Pre-cut pipe inlets and outlets : No tools required</li> </ul>
<b>MODELS</b>						
<ul style="list-style-type: none"> <li>• VBA17186: Round irrigation hydrant with built-in ¾" (20/27) valve</li> </ul>	<ul style="list-style-type: none"> <li>• VBA02672: Round valve box with bayonet-type cover</li> </ul>	<ul style="list-style-type: none"> <li>• VBA02673: Round valve box with clip-on cover</li> </ul>	<ul style="list-style-type: none"> <li>• VBA02676: Extension for model VBA02674 (less cover)</li> </ul>	<ul style="list-style-type: none"> <li>• VBA07777: Extension for model VBA02675 (less cover)</li> </ul>	<ul style="list-style-type: none"> <li>• VBA02674 : Rectangular valve boxes with bolt lock cover</li> <li>• VBA02674C: Cover for valve box model VBA02674 and for extension VBA02676</li> </ul>	<ul style="list-style-type: none"> <li>• VBA02675: Rectangular valve boxes with bolt lock cover</li> <li>• VBA02675C: Cover for valve box model VBA02675 and for extension VBA07777</li> </ul>

## VB Series Valve Boxes

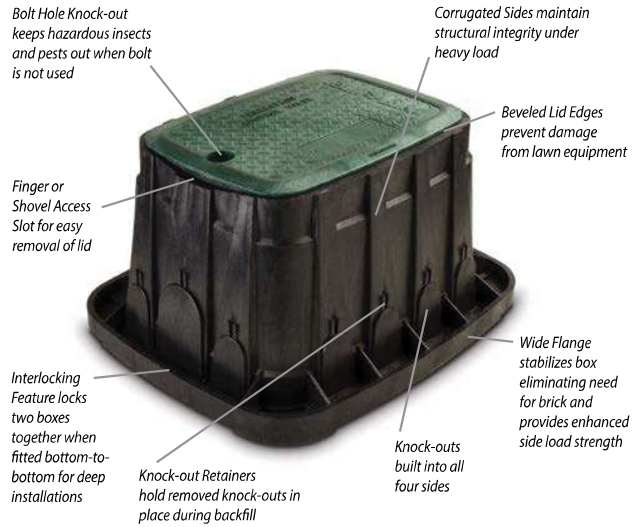
Commercial grade boxes that are loaded with a rich set of industry-leading features

### Features

- **Strength and Stability** – Multiple sizes and shapes are designed with corrugated sides and wide flange bases for maximum durability, compression strength, and stability
- **Smart Lid Design** – Designed with no holes to keep out pests, beveled edges to minimize damage potential from turf equipment, and for easy hand and shovel access
- **Flexible Installations** – Interlocking stacking capabilities, extension models and pipe hole knockouts support deeper and flexible installations
- **Environmentally Friendly** – Earth-friendly, LEED-compliant material made of 100% recycled materials (black boxes and black lids only)

### Models

Select models shown (see table below). Review your regional price list for complete availability.



7 Inch Round Valve Box	10 Inch Round Valve Box	Standard Valve Box	Standard Extension	Jumbo Valve Box	Jumbo Extension	Super Jumbo Valve Box	Maxi Jumbo Valve Box
<b>SIZE</b>							
Bottom Diameter: 21.4 cm Height: 23.4 cm	Bottom Diameter: 30.0 cm Height: 26.0 cm	Length: 59.0 cm Width: 49.1 cm Height: 31.8 cm	Length: 50.8 cm Width: 37.5 cm Height: 17.1 cm	Length: 70.0 cm Width: 53.2 cm Height: 31.6 cm	Length: 62.0 cm Width: 45.5 cm Height: 17.2 cm	Length: 84.1 cm Width: 60.7 cm Height: 38.1 cm	Length: 102.5 cm Width: 68.9 cm Height: 45.7 cm
<b>ADDITIONAL FEATURES</b>							
<ul style="list-style-type: none"> <li>• Easily removable knock-outs simplify pipe placement and reduce installation time</li> <li>• Four equally spaced knock-outs accommodate up to 5.0 cm diameter pipe</li> </ul>	<ul style="list-style-type: none"> <li>• Easily removable knock-outs simplify pipe placement and reduce installation time</li> <li>• Four equally spaced knock-outs accommodate up to 5.0 cm diameter pipe</li> </ul>	<ul style="list-style-type: none"> <li>• Two large center knock-outs accommodate up to 8.9 cm diameter pipe and eleven knock-outs accommodate up to 5.0 cm diameter pipe</li> </ul>	<ul style="list-style-type: none"> <li>• Extension models support deeper and more flexible installations</li> </ul>	<ul style="list-style-type: none"> <li>• Easily removable knock-outs simplify pipe placement and reduce installation time</li> <li>• Two large center knock-outs accommodate up to 8.9 cm diameter pipe. (Extensions do not have knock-outs)</li> </ul>	<ul style="list-style-type: none"> <li>• Extension models support deeper and more flexible installations</li> </ul>	<ul style="list-style-type: none"> <li>• Easily removable knock-outs simplify pipe placement and reduce installation time</li> <li>• Thirteen large knock-outs accommodate up to 8.9 cm diameter pipe</li> </ul>	<ul style="list-style-type: none"> <li>• Easily removable knock-outs simplify pipe placement and reduce installation time. Six large knock-outs on the ends accommodate up to 12.7 cm diameter pipe and 12 knock-outs on the sides accommodate up to 7.6 cm diameter pipe</li> </ul>
<b>MODELS</b>							
<ul style="list-style-type: none"> <li>• VB7RND: 7" Round Body &amp; Green Lid</li> <li>• VB7RNDDB: 7" Round Body Only</li> <li>• VB7RNDDBKL: Black Lid</li> <li>• VB7RNDGL: Green Lid</li> <li>• VB7RNDPDL: Purple Lid</li> </ul>	<ul style="list-style-type: none"> <li>• VB10RND: 10" Round Body &amp; Green Lid</li> <li>• VB10RNDDB: 10" Round Body Only</li> <li>• VB10RNDL: Green Lid</li> <li>• VB10RNDPL: Purple Lid</li> <li>• VB10RNDDBKL: Black Lid</li> <li>• VB10RNDH: 10" Round Body &amp; Locking Green Lid</li> </ul>	<ul style="list-style-type: none"> <li>• VBSTD: Standard Body &amp; Green Lid</li> <li>• VBSTDDB: Standard Body Only</li> <li>• VBSTDL: Green Lid</li> <li>• VBSTDPL: Purple Lid</li> <li>• VBSTDH: Standard Body &amp; Locking Green Lid</li> <li>• VBSTDDBKL: Black Lid</li> </ul>	<ul style="list-style-type: none"> <li>• VBSTD6EXTB: Standard Extension Body Only</li> </ul>	<ul style="list-style-type: none"> <li>• VBJMB: Jumbo Body &amp; Green Lid</li> <li>• VBJMBB: Jumbo Body Only</li> <li>• VBJMBL: Green Lid</li> <li>• VBJMPL: Purple Lid</li> <li>• VBJMBH: Jumbo Body &amp; Locking Green Lid</li> <li>• VBJMDBKL: Black Lid</li> </ul>	<ul style="list-style-type: none"> <li>• VBJMB6EXTB: Jumbo Extension Body Only</li> </ul>	<ul style="list-style-type: none"> <li>• VBSPRH: Super Jumbo Body &amp; 2 Lock Green Lid</li> </ul>	<ul style="list-style-type: none"> <li>• VBMAXH: Maxi-Jumbo Body &amp; 2 Lock Green Lid</li> </ul>

### LOCKING SYSTEMS

- VBLOCKP: Penta head 1.0 x 5.7 cm bolt, washer, and clip

**VANDAL RESISTANT**

## DBM10

Quick Connect Wire Connectors

### Features

- Approved for 30V wet/damp locations
- Allows electrical connections up to 3 wires sized 1.5 mm<sup>2</sup> or 0.8 mm<sup>2</sup>
- IP 67 and compact
- Self-stripping.
- Use with insulated copper wire
- One piece metal blade improves the flow of current between conductors
- Translucent Green depression cap allows for visible connections
- UV and impact resistant

### Specifications

- Silicone Sealant (-45°C to 200°C)
- Maximum wire voltage: 600V

### Model

- DBM10, bag of 10 units



DBM10



## KING

Waterproof Wire Connectors

### Features

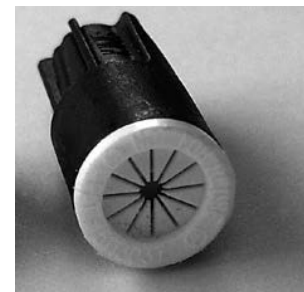
- Spring locks on to wire for tight grip
- Eliminates failures due to moisture and corrosion
- Arrests sparking
- Copper-to-copper wire only. Cannot be reused
- Used for electrical connections in low voltage installations (< 30V)
- Allows electrical connections up to 2 wires sized 2,5 mm<sup>2</sup> or 3 wires sized 1,5 mm<sup>2</sup>
- Waterproof

### Specifications

- Maximum wire voltage: 30V

### Model

- KING



KING

## WC Series Wire Connector

Connections Made Easy

### Features and Benefits

- Install Faster – the WC Series Wire Connector is quick to install and provides reliable moisture sealing for controller and valve electrical connections you can count on
- Simplify Inventory – This is the only wire connector you'll need! It is ideal for use on two wire decoder control systems
- Avoid Call Backs – Locating and repairing a corroded wire splice costs your business time and money. Avoid unnecessary service call backs
- Use for standard controllers, valve boxes and soil moisture sensors
- Wire combinations ranging from 0.3 mm<sup>2</sup> to 8.4 mm<sup>2</sup>
- Use on connections from 24 VAC to 600 VAC
- UL 486D certified for direct burial
- The Strain Relief ensures wires are secure and won't pull apart
- Waterproof silicone sealant protects against corrosion
- UV-resistant material ensures product performance does not degrade even after long periods of exposure to sunlight

### Models

- WC20: Direct Bury Silicone Tube, Red Yellow Wire Nut, Bag of 20

### Wire Combinations (for solid and stranded wire)

WC20	
2-3 x 5.3 mm <sup>2</sup>	2 x 0.8 mm <sup>2</sup>
2-5 x 3.3 mm <sup>2</sup>	1 x 8.3 mm <sup>2</sup> w/2 x 0.8 mm <sup>2</sup>
2-5 x 2.1 mm <sup>2</sup>	3 x 5.3 mm <sup>2</sup> w/1 x 0.8 mm <sup>2</sup>
4-6 x 1.3 mm <sup>2</sup>	3 x 3.31 mm <sup>2</sup> w/3 x 0.8 mm <sup>2</sup>
3 x 2.1 mm <sup>2</sup> w/2 x 0.8 mm <sup>2</sup>	

The combinations listed are only a sample of the most common wire combinations.



WC20

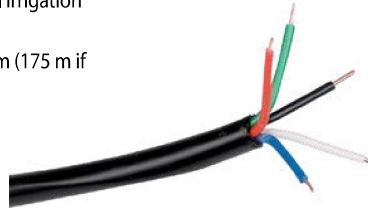
## Multi-Conductor Irrigation Cable

### Applications

Very low voltage (< 30 Volts) multi-conductor cable. Ideal for carrying power supply from controller terminal strips to electric valves.

### Features

- 3, 5, 7, 9 and 13 conductor models
- Single core multi-conductor cable
- Black polyethylene jacket. Thickness: 0.64 mm. Highly resistant to mechanical stress, chemicals and moisture
- PE jacket with a nylon rip cord to facilitate stripping
- 0.8 mm<sup>2</sup> conductor cross section for any type of residential irrigation installation
- Maximum distance between a controller and a valve: 350 m (175 m if 2 valves)
- Cable Marked "Rain Bird"
- 1-meter incremental marking



Multi-Conductor Irrigation Cable



### Models

Select models shown. Review your regional price list for complete availability.

- Irricable 3/75: 3 conductors, 75 m drum
- Irricable 3/150: 3 conductors, 150 m drum
- Irricable 5/75: 5 conductors, 75 m drum
- Irricable 5/150: 5 conductors, 150 m drum
- Irricable 7/75: 7 conductors, 75 m drum
- Irricable 7/150: 7 conductors, 150 m drum
- Irricable 9/75: 9 conductors, 75 m drum
- Irricable 13/75: 13 conductors, 75 m drum

## Single Conductor Electric Cable

### Applications

Very low voltage (< 30V) single conductor cable. Ideal for carrying power supply from controllers to decoders or valve-in-head rotors.

### Features

- Solid bare copper conductor
- Available in single PE insulation cable
- Cross section : 1.5 mm<sup>2</sup>
- Thickness : 3 mm.
- Highly resistant to mechanical stress, chemicals, moisture.
- Cable Marked "Rain Bird"
- 1-meter incremental marking

### Models

Select models shown. Review your regional price list for complete availability.

- SI 115: 1 x 1.5 mm<sup>2</sup>, single PE insulation cable, 500 m drum
- DI 115: 1 x 1.5 mm<sup>2</sup>, double PVC-PE insulation cable, 500 m drum



DI 115

## Decoder Cable

### Applications

Ideal for use as a power and communications/control cable for decoder and SiteControl systems.

### Features

- 2 Solid bare copper conductors with a PE insulation jacket
- Cross section : 2.5 mm<sup>2</sup>

### Model

Select models shown. Review your regional price list for complete availability.

- Decoder Cable 500m drum



Decoder Cable

## Wire Stripper Tool

### Applications

Multi-function tool for all standard round cables. For quick, safe and precise wire stripping of outer sheathing and wire stripping of inner solid and stranded wires.

### Features

- No adjustment of cutting depth necessary
- No damage to conductors
- Stripping range : 0,2 - 4.0 mm<sup>2</sup>
- Radial cutting and stripping (up to 20 cm) in one step
- Additional lengthwise slit for stripping in excess of 20 cm

### Model

Select models shown. Review your regional price list for complete availability.

- Wire Stripper



Wire Stripper