

ELECTROFUSION CATALOGUE

Polyethylene Electrofusion Fittings
Related Products



Kimplas Piping Systems Private Limited

A member of NORMA Group

www.kimplaspiping.net | www.normagroup.com

TRUSTLENE

Brand Pipes & Fittings

Technical Specifications

EF Fittings PE 80 Yellow / Black (40V)

- According to GIS - PL2 - Part 4
- Kitemark Approval from BSI, UK
- According to AS/NZS 4129 Approved by SAI Global Australia for Gas

EF Fittings PE 80 Blue (40V)

- According to BS EN 12201-3
- Grade of raw material used is WRAS, UK approved and tested by NSF International, UK as per BS 6920 (For use in water applications intended for human consumption)
- According to AS/NZS 4129 Approved by SAI Global Australia for water

EF Fittings PE 100 Black (40V)

- According to GIS PL2-4, BS EN 1555-3, ISO:4437-3, BS EN 12201-3 & ISO:4427-3
- PE 100 Black fittings approved by :
Kitemark Approval from BSI, UK
DVGW, Germany for Gas & Water application
Grade of raw material used is WRAS, UK approved and tested by NSF International, UK as per BS 6920 (For use in water applications intended for human consumption)
- According to AS/NZS 4129 Approved by SAI Global Australia for water & Gas.

EF Gas Meter Box Adaptor (40V) & Spigot Transition Fittings

- According to GIS PL3
- Kitemark Approval from BSI, UK
- DVGW, Germany for Gas & Water application for Transition Fitting only

Pressure Ratings

Fitting Type	Gas Yellow PE 80	Gas Black PE 100	Water (cold) Black PE100	Water (cold) Blue PE80
Coupler	5.5 bar	10 bar	16 bar	-
Reducer	5.5 bar	10 bar	16 bar	-
Elbow	5.5 bar	10 bar	16 bar	-
End Cap	5.5 bar	10 bar	16 bar	-
Equal Tee	5.5 bar	10 bar	16 bar	-
Tapping Tee	5.5 bar	10 bar	16 bar	-
Branch Saddle	-	-	16 bar	12.5 bar
Branch Spigot Saddle	2 bar	-	16 bar	-
Purge Tee	5.5 bar	-	-	-
Purge Bag Stop Saddle	2 bar	-	-	-
Gas Meter Box Adaptor	-	10 bar	-	-
Transition Fittings	5.5 bar	10 bar	16 bar	-

Pressure Rating for : PE 100 Black fitting for gas - 10 bar under BS EN 1555-3 | PE 100 Black fitting for water - 16 bar under BS EN 12201-3
PE 80 Blue fitting for water - 12.5 bar under BS EN 12201-3
PE 80 Yellow fitting for gas - 5.5 bar for class B or 7 bar for class C fitting under GIS PL 2 - 4

All fittings are with SDR 11 rating & suitable for pipe series (S5) as per ISO 4427-2

SDR Ratings

The Appropriate pipe SDR rating for electrofusion fittings is in accordance with the table below:

Fitting sizes below 63mm		Fitting sizes 63mm and above	
Fitting Type	Pipe SDR	Fitting Type	Pipe SDR
Coupler	11	Coupler	11 to 17.6
Reducer	11	Reducer	11 to 17.6
Elbow	11	Elbow	11 to 17.6
End Cap	11	End Cap	11 to 17.6
Equal Tee	11	Equal Tee	11 to 17.6
Tapping Tee	11	Tapping Tee	11 to 17.6
Branch Saddle	11	Branch Saddle	11 to 17.6
Branch Spigot Saddle	11	Branch Spigot Saddle	11 to 17.6
Purge Tee	11	Purge Tee	11 to 17.6
Purge Bag Stop Saddle	11	Purge Bag Stop Saddle	11 to 17.6
Gas Meter Box Adaptor	11	Gas Meter Box Adaptor	11 to 17.6
Transition Fittings	11	Transition Fittings	11 to 17.6

ISO Approval



- **ISO 9001** is a standard that sets out the requirements for a quality management system. It helps businesses and organizations to be more efficient and improve customer satisfaction.
- **ISO 14001** Approval is internationally agreed standard that sets out the requirements for an environmental management system. It helps organizations improve their environmental performance through more efficient use of resources and reduction of waste, gaining a competitive advantage.
- **ISO 45001** Approval is effective health and safety management system standard can provide benefits to customers minimizing the risks of production delays and maintain an effective health and safety policy.
- KIMPLAS PIPING SYSTEMS PRIVATE LIMITED is committed to the protection of environment and also to enhance Customer Satisfaction by delivering Quality products in time bound manner using cost effective, eco-friendly technology with emphasis on Health, Safety and Environment

DVGW



- DVGW (Deutscher Verein des Gas- und Wasserfaches) is the largest gas and water industry certification body in Europe, covering all the certification procedures required in the gas and water sectors.
- The main objective of certification work is to ensure that, there is no safety, hygiene or environmental objections to the products and companies certified. These activities are based on the DVGW standards as well as other national and international codes of practice, standards and certification programs.
- We, KIMPLAS PIPING SYSTEMS PRIVATE LIMITED is having approval certificate of DVGW since from 2005 for all our EF fittings manufactured in PE 100, Black compounded material. Our EF fittings are approved by DVGW for Water as per : EN-12201-Part-3.

WRAS



- KIMPLAS Fittings raw materials are approved with WRAS (Water Regulations Advisory Scheme) – with certifications from their Certified Laboratory NSF International Ltd., UK. Fittings are suitable for contact with wholesome water for domestic purpose having met the requirements of BS6920 1:2000 "Suitability of non metallic products for use in contact with water intended for human consumption with regard to their effect on the quality of the water".

Kitemark Approval



GIS/PL2-4:2019
KM 749592



GIS/PL3
KM 749593

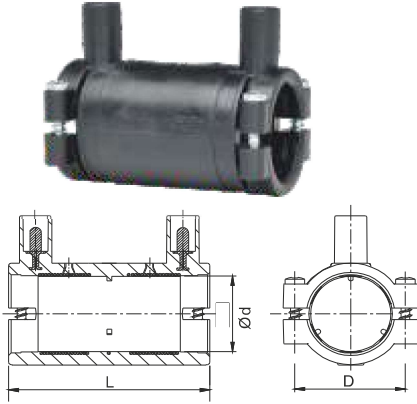
- The British Standards Institute is the Authority responsible for setting manufacturing standards for product safety and quality. These are strict standards that products should reach or surpass, in order to be regarded as both safe and manufactured to a consistently high standard. Companies wanting to display the respected British Standards Institute's Kite Mark, pay to have their product(s) tested against British and International Standards. When a company is registered with the BSI, its manufacturing processes and products are checked frequently, to ensure that the high standards set by the BSI are maintained.
- Products that have a British Standards Institute (BSI) Kite Mark stamped on them, have been checked for safety and quality of manufacture, by the BSI. The Institute carries out strict tests, that have been designed to ensure that the product is safe and has been manufactured to a high standard. The BSI Kite Mark is respected throughout the world. If a product being tested meet British Standards, the manufacturer is issued with a licence, allowing the use of the Kite Mark.
- KIMPLAS PIPING SYSTEMS PRIVATE LIMITED was the first Company to get BSI Kite Mark licence in India for GIS/PL2 - 4 Standards in Dec 2007 and It is licensed to mark Kitemark™ on the fittings produced by it.

SAI Global



SAI Global

- Sai Global is rich in the development of innovative business solutions, and today this tradition of innovation continues with industry-leading products and solutions in our core business areas of risk management software, standards aggregation, regulatory content, ethics and compliance learning, risk assessments, certification, testing and audits.
- SAI Global is a recognized leading provider of integrated risk management solutions, assurance, and property services. Sai Global help organizations protect their brands by proactively managing risk to achieve business excellence, growth, sustainability, and trust.
- Products that have a WaterMark & Standardsmark stamped on them, have been checked for safety and quality of manufacture, by the Sai Global. This certification body carries out strict tests, that have been designed to ensure that the product is safe and has been manufactured to a high standard. The Sai Global WaterMark & Standardsmark is respected in Australia. If a product being tested meet Australian Standards, the manufacturer is issued with a licence, allowing the use of the WaterMark & Standardsmark.

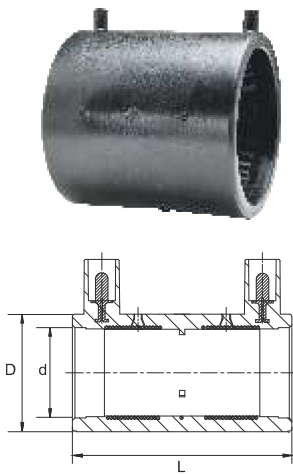


EF IC COUPLER

d	Product Code	SP	Weight (gm)	D (mm)	L (mm)	FT	CT
20	C20BKD	175	53	31	77	22	4
25	C25BKD	150	63	36	79	28	4
32	C32BKD	100	75	44	82	42	4
40	C40BKD	80	96	53	83	52	7
50	C50BKD	54	141	65	105	55	7
63	C63BKD	35	220	81	100	70	7

BKD - PE 100 Black - 4mm Pin

EF COUPLER



d	Product Code	SP	Weight (gm)	D (mm)	L (mm)	FT	CT
20	C20BKB	250	44	31	70	22	4
25	C25BKB	175	53	36	70	28	4
32	C32BKB	150	68	44	75	42	4
40	C40BKB	125	67	53	75	52	7
50	C50BKB	60	133	65	90	55	7
55	C55BKB	50	117	69	85	40	7
63	C63BKB	35	133	81	100	70	7
75	C75BKB	35	221	91	100	80	7
90	C90BKB	14	496	113	133	140	15
110	C110BKB	11	799	138	152	160	15
125	C125BKB	8	1150	155	167	200	15
125	C125BKF	8	885	152	167	220	15

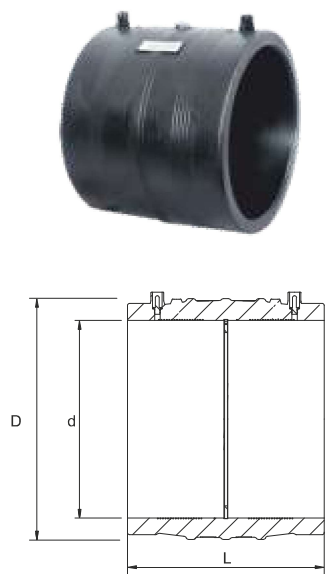
BKB - PE 100 Black - 4mm Pin

BK8A - PE 80 Black - 4.7mm Pin

BKA - PE 100 Black - 4.7mm Pin

BK8B - PE 80 Black - 4mm Pin

YEA - PE 80 Yellow - 4.7mm Pin



EF COUPLER - HIGHER SIZES (SDR11)

d	Product Code	SP	Minimum Weight (gm)	Minimum OD (mm)	L (mm)	FT	CT
140	C140BKB	7	1060	165	165	240	20
160	C160BKB	12	1440	189	180	380	20
180	C180BKB	9	1850	213	190	400	20
200	C200BKN	6	2160	236	183	480	20
225	C225BKBN	4	3470	266	232	690	30
250	C250BKBN	1	4170	295	244	840	40
280	C280BKBN	2	5520	331	258	650	40
315	C315BKBN	1	7410	372	274	840	40

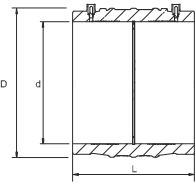
BKB - PE 100 Black - 4mm Pin

BK8A - PE 80 Black - 4.7mm pin

BKA - PE 100 Black - 4.7mm pin

BK8B - PE 80 Black - 4mm Pin

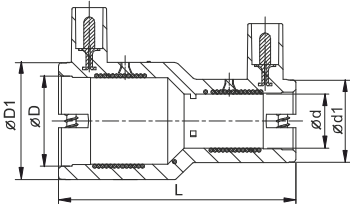
SP=Standard Pack Quantity, FT=Fusion Time in Seconds, CT=Cooling Time in Minutes, SP and Weight are given for reference only



EF COUPLER - HIGHER SIZES (SDR17.6)

d	Product Code	SP	Minimum Weight (gm)	Minimum OD (mm)	L (mm)	FT	CT
140	C140BKFB	7	774.2	161	165	175	20
160	C160BKFB	12	1176	183	180	290	20
180	C180BKFB	9	1351	206	190	290	20
200	C200BKFB	2	1749	229	183	480	20
225	C225BKFB	2	2667	256	232	690	30
250	C250BKFB	2	3265	284	244	840	40
280	C280BKFB	2	4251	316	258	650	40
315	C315BKFB	2	6040	357	274	840	40

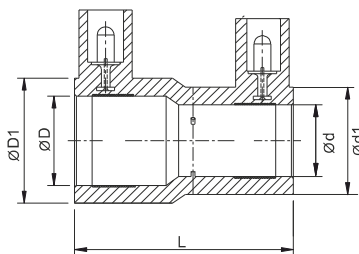
EF IC REDUCER



Dxd	Product Code	SP	Weight (gm)	D1 (mm)	L (mm)	d1 (mm)	FT	CT
25x20	R25X20BKD	140	62	36	87	31	26	4
32x20	R32X20BKD	120	75	44	89	31	34	4
32x25	R32X25BKD	120	75	44	89	36	30	4
40x20	R40X20BKD	90	88	53	100	31	30	7
40x25	R40X25BKD	90	92	53	100	36	30	7
40x32	R40X32BKD	80	97	53	94	44	42	7
50x25	R50X25BKD	60	103	65	110	36	30	7
50x32	R50X32BKD	60	109	65	110	44	36	7
50x40	R50X40BKD	60	118	65	110	53	46	7
63x32	R63X32BKD	42	173	81	106	44	47	7
63x40	R63X40BKD	36	187	81	119	53	42	7
63x50	R63X50BKD	36	205	81	120	65	45	7

BKD - PE 100 Black - 4mm Pin

EF REDUCER



Dxd	Product Code	SP	Weight (gm)	D1 (mm)	d1 (mm)	L (mm)	FT	CT
25x20	R25X20BKB	140	51	37	31	75	26	4
32x20	R32X20BKB	120	64	44	31	82	34	4
32x25	R32X25BKB	120	67	44	37	82	30	4
40x32	R40X32BKB	100	88	53	44	94	42	7
63x32	R63X32BKB	42	174	81	44	106	47	7
63x40	R63X40BKB	36	174	81	53	115	42	7
63x50	R63X50BKB	36	199	81	65	115	45	7
75x63	R75X63BKB	24	263	94	81	120	90	7
90x63	R90X63BKB	14	489	113	81	150	75	15
90x75	R90X75BKB	14	451	113	94	200	100	15
110x63	R110X63BKB	8	703	137	81	180	150	15
110x75	R110X75BKB	10	627	137	94	160	150	15
110x90	R110X90BKB	8	751	137	113	171	185	15
125x63	R125X63BKB	8	928	155	81	200	95	15
125x75	R125X75BKB	8	738	155	94	160	95	15
125x90	R125X90BKB	8	987	155	113	200	140	15
125 x 110	R125X110BKBN	8	904	155	136	170	140	15

BKBN - PE 100 Black - 4mm Pin

BK8A - PE 80 Black - 4.7mm Pin

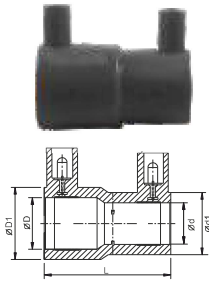
YEA - PE 80 Yellow - 4.7mm Pin

BKA - PE 100 Black - 4.7mm Pin

BK8B - PE 80 Black - 4mm Pin

SP=Standard Pack Quantity, FT=Fusion Time in Seconds, CT=Cooling Time in Minutes, SP and Weight are given for reference only

Note: Every effort has been made to ensure the information in this brochure is correct at the date of issue. Kimplas operates a policy of continual product improvement and range extension, hence reserves the right to modify product specifications, without prior information, in line with market requirements.



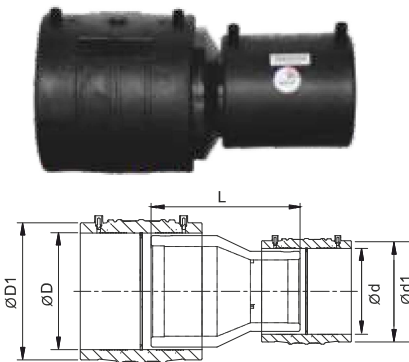
EF REDUCER - IMPERIAL SIZES

Dxd	Product Code	SP	Weight (gm)	D1 (mm)	d1 (mm)	L (mm)	FT	CT
d20mmx3/4"	R20X075BK8B	175	77	38	31	75	26	4
d25mmx3/4"	R25X075BK8B	175	50	38	38	70	28	4
d32mmx3/4"	R32X075BK8B	120	65	44	39	78	30	4
d32mmx1"	R32X100BK8B	150	90	46	46	75	42	4
d63mmx2"	R63X200BK8B	35	210	81	81	100	70	7

BK8B - PE 80 Black - 4mm Pin

YEA - PE 80 Yellow - 4.7mm Pin

EF REDUCER - HIGHER SIZES



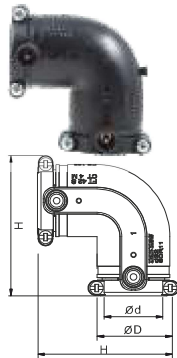
Dxd	Product Code	SP	Weight (gm)	Minimum D1 (mm)	d1 (mm)	L (mm)
140x90	R140X90R11BKBSET	5	2537	165	113	367
140x110	R140X110R11BKBSET	5	3018	165	138	387
140x125	R140X125R11BKBSET	5	3457	165	155	388
160x90	R160X90R11BKBSET	4	3301	189	113	398
160x110	R160X110R11BKBSET	4	3664	189	138	416
160x125	R160X125R11BKBSET	4	4177	189	155	424
160x140	R160X140R11BKBSET	4	4270	189	170	427
180x110	R180X110R11BKBSET	2	4387	213	138	432
180x125	R180X125R11BKBSET	2	4796	213	155	440
180x160	R180X160R11BKBSET	2	5653	213	193	459
200x110	R200X110R11BKBSET	2	5261	236	138	467
200x140	R200X140R11BKBSET	2	5829	236	155	476
200x160	R200X160R11BKBSET	2	6219	236	193	490
200X180	R200X180R11BKBSET	2	6924	236	215	506
225x110	R225X110R11BKBSET	1	7147	266	138	503
225x160	R225X160R11BKBSET	1	8109	266	193	515
225x180	R225X180R11BKBSET	1	8836	266	215	526
225x200	R225X200R11BKBSET	1	9528	266	246	562
250x160	R250X160R11BKBSET	1	9627	295	193	537
250x180	R250X180R11BKBSET	1	10708	295	215	559
250x200	R250X200R11BKBSET	1	11116	295	246	579
250x225	R250X225R11BKBSET	1	12708	295	277	590
280x180	R280X110R11BKBSET	1	13190	331	215	627
280x200	R280X200R11BKBSET	1	13828	331	246	642
280x225	R280X225R11BKBSET	1	15350	331	277	646
280x250	R280X250R11BKBSET	1	17118	331	292	665
315x225	R315X225R11BKBSET	1	19182	372	277	707
315x250	R315X250R11BKBSET	1	20596	372	292	714
315x280	R315X280R11BKBSET	1	22508	372	342	719

Consider Fusion Time & Cooling Time as per respective size coupler.

Note: SET=Combination of EF Coupler + Spigot Fittings
Spigot Fittings are Imported.

11BKBSET - SDR 11 PE 100 Black - 4mm Pin

17BKBSET - SDR 17 PE 100 Black - 4mm Pin



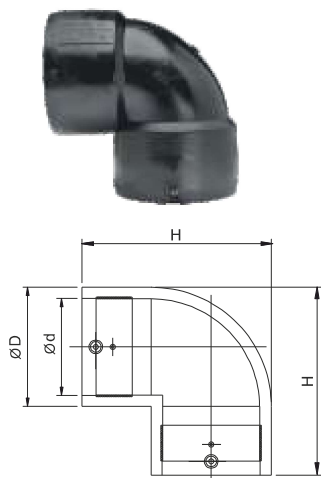
EF IC ELBOW 90°

d	Product Code	SP	Weight (gm)	D (mm)	H (mm)	FT	CT
20	E20D90BKD	120	63	31	76	22	4
25	E25D90BKD	100	70	36	78	28	4
32	E32D90BKD	75	90	44	86	42	4
40	E40D90BKD	48	141	53	101	52	7
50	E50D90BKD	30	135	65	115	55	7
63	E63D90BKD	20	315	81	130	70	7

BKD - PE 100 Black - 4mm Pin

SP=Standard Pack Quantity, FT=Fusion Time in Seconds, CT=Cooling Time in Minutes, SP and Weight are given for reference only

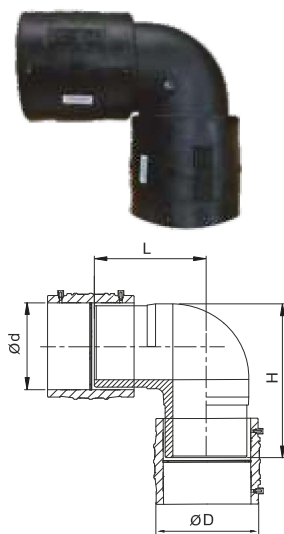
EF ELBOW 90°



d	Product Code	SP	Weight (gm)	D (mm)	H (mm)	FT	CT
20	E20D90BKB	168	35	33	70	22	4
25	E25D90BKB	120	35	35	71	28	4
32	E32D90BKB	100	48	44	75	42	4
40	E40D90BKB	60	117	53	92	52	7
63	E63D90BKB	21	290	82	122	70	7
75	E75D90BKB	15	401	94	137	80	7
90	E90D90BKB	8	655	113	172	140	15
110	E110D90BKB	4	806	137	209	160	15
125	E125D90BKB	4	1529	155	230	200	15

BKB - PE 100 Black - 4mm Pin
 BKA - PE 100 Black - 4.7mm Pin
 BK8A - PE 80 Black - 4.7mm Pin
 BK8B - PE 80 Black - 4mm Pin
 YEA - PE 80 Yellow - 4.7mm Pin

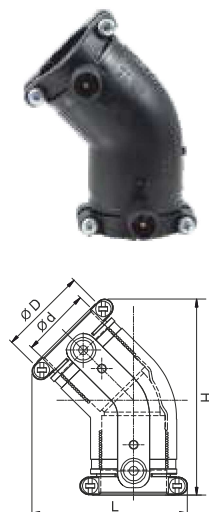
EF ELBOW 90° - HIGHER SIZES



d	Product Code	SP	Weight (gm)	Minimum D (mm)	H (mm)	L (mm)	FT	CT
140	E140D90R11BKBSET	3	4586	165	250	195	240	20
160	E160D90R11BKBSET	2	6104	189	273	205	380	20
180	E180D90R11BKBSET	2	8000	213	290	225	400	20
200	E200D90R11BKBSET	1	10432	236	311	245	480	30
225	E225D90R11BKBSET	1	14220	266	341	264	690	30
250	E250D90R11BKBSET	1	19200	295	368	284	840	40
280	E280D90R11BKBSET	1	27042	331	406	327	650	40
315	E315D90R11BKBSET	1	36890	372	430	358	840	40

11BKBSET - SDR 11 PE 100 Black - 4mm Pin
 17BKBSET - SDR 17 PE 100 Black - 4mm Pin
 Note: SET=Combination of EF Coupler + Spigot Fittings (Spigot Fittings are Imported.)

EF IC ELBOW 45°

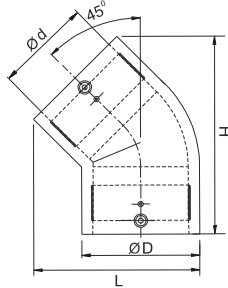


d	Product Code	SP	Weight (gm)	D (mm)	H (mm)	L (mm)	FT	CT
20	E20D45BKD	140	55	31	87	55	22	4
25	E25D45BKD	85	72	36	96	61	28	4
32	E32D45BKD	85	85	44	101	80	42	4
40	E40D45BKD	60	125	53	116	93	52	7
50	E50D45BKD	30	181	65	130	105	55	7
63	E63D45BKD	24	303	81	153	128	70	7

BKD - PE 100 Black - 4mm Pin

SP=Standard Pack Quantity, FT=Fusion Time in Seconds, CT=Cooling Time in Minutes, SP and Weight are given for reference only

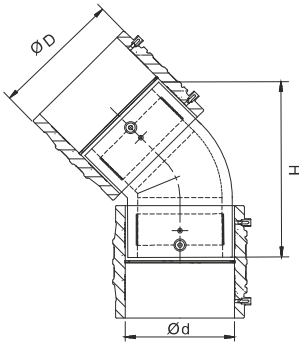
Note: Every effort has been made to ensure the information in this brochure is correct at the date of issue. Kimplas operates a policy of continual product improvement and range extension, hence reserves the right to modify product specifications, without prior information, in line with market requirements.



EF ELBOW 45°

d	Product Code	SP	Weight (gm)	D (mm)	H (mm)	L (mm)	FT	CT
75	E75D45BKB	18	352	94	152	130	80	7
90	E90D45BKB	8	661	113	192	160	140	15

BKB - PE 100 Black - 4mm Pin BK8A - PE 80 Black - 4.7mm Pin
 BKA - PE 100 Black - 4.7mm Pin BK8B - PE 80 Black - 4mm Pin
 YEA - PE 80 Yellow - 4.7mm Pin

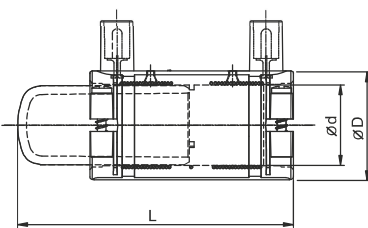


EF ELBOW 45° - HIGHER SIZES

d	Product Code	SP	Weight (gm)	Minimum D (mm)	H (mm)	FT	CT
110	E110D45R11BKBSET	3	2549	138	220	160	15
125	E125D45R11BKBSET	3	3590	155	239	200	15
140	E140D45R11BKBSET	3	4165	165	250	240	20
160	E160D45R11BKBSET	3	5189	189	273	380	20
180	E180D45R11BKBSET	2	7213	213	290	400	20
200	E200D45R11BKBSET	1	8236	236	311	480	30
225	E225D45R11BKBSET	1	12266	266	341	690	30
250	E250D45R11BKBSET	1	16295	295	368	840	40
280	E280D45R11BKBSET	1	22311	331	406	650	40
315	E315D45R11BKBSET	1	30372	372	430	840	40

11BKBSET - SDR 11 PE 100 Black - 4mm Pin
 17BKBSET - SDR 17 PE 100 Black - 4mm Pin

Note: SET=Combination of EF Coupler + Spigot Fittings
 (Spigot Fittings are Imported.)

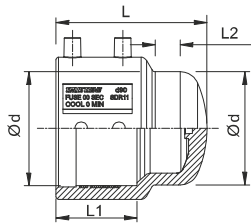


EF IC END CAP

d	Product Code	SP	Weight (gm)	D (mm)	L (mm)	FT	CT
20	ECSC20BKD	140	53	31	103	22	4
25	ECSC25BKD	120	78	36	105	28	4
32	ECSC32BKD	85	95	44	109	42	4
40	ECSC40BKD	40	131	53	119	52	7
50	ECSC50BKD	36	202	65	142	55	7
63	ECSC63BKD	24	326	81	158	70	7

BKD - PE 100 Black - 4mm Pin

SP=Standard Pack Quantity, FT=Fusion Time in Seconds, CT=Cooling Time in Minutes, SP and Weight are given for reference only



EF ONE PIECE END CAP

D	Product Code	SP	Weight (gm)	L (mm)	L1 (mm)	L2 (mm)	FT	CT
63	EFEC63BK8B	42	174	96	53	19	30	4
75	EFEC75BK8B	36	218	100	52	19	45	7
90	EFEC90BK8B	22	380	120	65	20	70	15
110	EFEC110BK8B	10	647	140	78	21	135	12
125	EFEC125BK8B	8	870	149	80	21	100	15

BKB - PE 100 Black - 4mm Pin

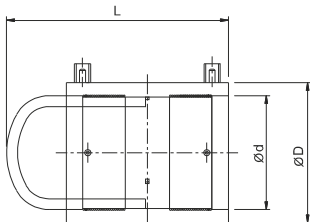
BK8A - PE 80 Black - 4.7mm Pin

BAK - PE 100 Black - 4.7mm Pin

BK8B - PE 80 Black - 4mm Pin

YEA - PE 80 Yellow - 4.7mm Pin

EF END CAP



d	Product Code	SP	Weight (gm)	D (mm)	L (mm)	FT	CT
20	ECSC20BKB	160	54	31	99	22	4
25	ECSC25BKB	120	67	37	100	28	4
32	ECSC32BKB	100	88	45	105	42	4
40	ECSC40BKB	75	105	53	115	52	7
50	ECSC50BKB	36	218	65	138	55	7
55	ECSC55BKB	40	218	69	138	40	7
63	ECSC63BKB	24	327	81	150	70	7
75	ECSC75BKB	18	397	91	168	80	7
90	ECSC90BKB	10	782	113	193	140	15
110	ECSC110BKB	8	1254	138	217	160	15
125	ECSC125BKB	6	1760	155	130	200	15
125	ECSC125BKBF	6	1495	152	130	220	15
140	ECSC140BKN	6	2000	175	264	240	20

BKN - PE 100 Black - 4mm Pin

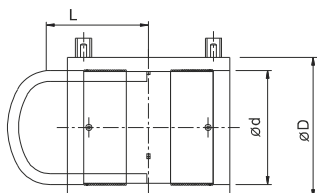
BK8A - PE 80 Black - 4.7mm Pin

BAK - PE 100 Black - 4.7mm Pin

BK8B - PE 80 Black - 4mm Pin

YEA - PE 80 Yellow - 4.7mm Pin

EF END CAP - HIGHER SIZES



d	Product Code	SP	Weight (gm)	D (mm)	L (mm)	FT	CT
160	ECSC160R11BKBSET	4	2607	190	98	380	20
180	ECSC180R11BKBSET	3	3416	215	105	400	20
200	ECSC200R11BKBSET	3	4158	246	112	480	30
225	ECSC225R11BKBSET	3	6020	277	120	690	30
250	ECSC250R11BKBSET	2	7740	292	129	840	40
280	ECSC280R11BKBSET	1	10380	342	139	650	40
315	ECSC315R11BKBSET	1	14340	386	150	840	40

11BKBSET - SDR 11 PE 100 Black - 4mm Pin

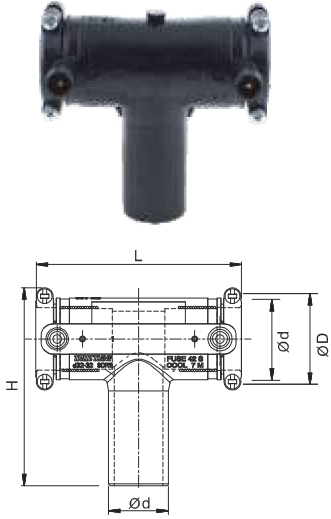
17BKBSET - SDR 17 PE 100 Black - 4mm Pin

Note: SET=Combination of EF Coupler + Spigot Fittings

(Spigot Fittings are Imported.)

SP=Standard Pack Quantity, FT=Fusion Time in Seconds, CT=Cooling Time in Minutes, SP and Weight are given for reference only

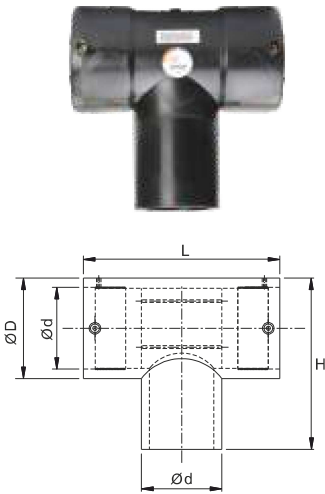
Note: Every effort has been made to ensure the information in this brochure is correct at the date of issue. Kimplas operates a policy of continual product improvement and range extension, hence reserves the right to modify product specifications, without prior information, in line with market requirements.



EF IC EQUAL TEE

d	Product Code	SP	Weight (gm)	H (mm)	L (mm)	FT	CT
20	ET20BKD	105	68	88	97	22	4
25	ET25BKD	90	79	93	101	28	4
32	ET32BKD	60	114	106	110	42	4
40	ET40BKD	40	161	122	128	52	7
50	ET50BKD	24	250	137	147	55	7
63	ET63BKD	14	411	173	152	70	7

BKD - PE 100 Black - 4mm Pin



EF EQUAL TEE

d	Product Code	SP	Weight (gm)	D (mm)	H (mm)	L (mm)	FT	CT
20	ET20BKB	120	69	32	83	90	22	4
25	ET25BKB	90	64	35	86	90	28	4
32	ET32BKB	60	94	45	96	101	42	4
40	ET40BKB	45	140	53	116	115	52	7
63	ET63BKB	14	379	82	160	151	70	7
75	ET75BKB	10	530	94	185	165	80	7
90	ET90BKB	4	922	113	218	220	140	7
110	ET110BKB	3	1384	137	253	252	160	15
125	ET125BKB	6	2024	155	267	256	200	15

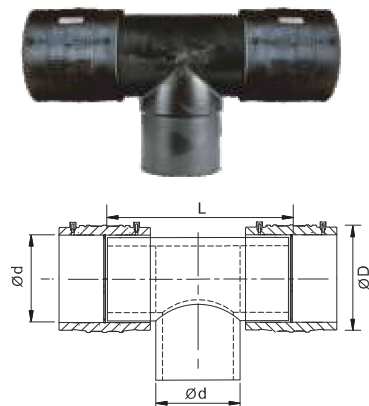
BKB - PE 100 Black - 4mm Pin

BK8A - PE 80 Black - 4.7mm Pin

BAK - PE 100 Black - 4.7mm Pin

BK8B - PE 80 Black - 4mm Pin

YEA - PE 80 Yellow - 4.7mm Pin



EF EQUAL TEE - HIGHER SIZES

d	Product Code	SP	Weight (gm)	D (mm)	L (mm)	FT	CT
140	ET140R11BKBSET	2	5185	165	380	240	20
160	ET160R11BKBSET	2	7300	189	417	380	20
180	ET180R11BKBSET	1	9658	213	458	400	20
200	ET200R11BKBSET	1	12030	236	481	480	30
225	ET225R11BKBSET	1	17126	266	527	690	30
250	ET250R11BKBSET	1	22768	295	590	840	40
280	ET280R11BKBSET	1	33164	331	690	650	40
315	ET315R11BKBSET	1	43126	372	712	840	40

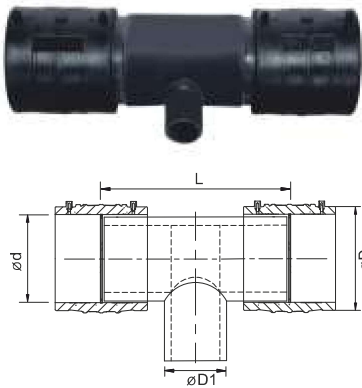
11BKBSET - SDR 11 PE 100 Black - 4mm Pin

17BKBSET - SDR 17 PE 100 Black - 4mm Pin

Note: SET=Combination of EF Coupler + Spigot Fittings

(Spigot Fittings are Imported.)

SP=Standard Pack Quantity, FT=Fusion Time in Seconds, CT=Cooling Time in Minutes, SP and Weight are given for reference only



EF REDUCING TEE - HIGHER SIZES

dxD1	Product Code	SP	Weight (gm)	D (mm)	L (mm)
75x63x75	RT75X63R11BKBSET	4	964	91	261
90x63x90	RT90X63R11BKBSET	4	1782	91	290
90x75x90	RT90X75R11BKBSET	4	1826	91	290
110x63x110	RT110X63R11BKBSET	3	2916	138	327
110x75x110	RT110X75R11BKBSET	3	2954	138	327
110x90x110	RT110X90R11BKBSET	3	3020	138	327
125x63x125	RT125X63R11BKBSET	3	4040	155	356
125x90x125	RT125X90R11BKBSET	3	4300	155	356
125x110x125	RT125X110R11BKBSET	3	4382	155	356
140x90x140	RT140X90R11BKBSET	3	4848	165	380
140x110x140	RT140X110R11BKBSET	3	4976	165	380
140x125x140	RT140X125R11BKBSET	2	5046	165	380
160x90x160	RT160X90R11BKBSET	2	6504	189	417
160x110x160	RT160X110R11BKBSET	2	6830	189	417
160x125x160	RT160X125R11BKBSET	2	6924	189	417
160x140x160	RT160X140R11BKBSET	2	7008	189	417
180x90x180	RT180X90R11BKBSET	1	8818	213	458
180x110x180	RT180X110R11BKBSET	1	8950	213	458
180x125x180	RT180X125R11BKBSET	1	9086	213	458
180x160x180	RT180X160R11BKBSET	1	9346	213	458
200x63x200	RT200X63R11BKBSET	1	10710	236	481
200x90x200	RT200X90R11BKBSET	1	10740	236	481
200x110x200	RT200X110R11BKBSET	1	10864	236	481
200x125x200	RT200X125R11BKBSET	1	11004	236	481
200x160x200	RT200X160R11BKBSET	1	11360	236	481
225x90x225	RT225X90R11BKBSET	1	15728	266	527
225x110x225	RT225X110R11BKBSET	1	15750	266	527
225x125x225	RT225X125R11BKBSET	1	15930	266	527
225x160x225	RT225X160R11BKBSET	1	16120	266	527
250x90x250	RT250X90R11BKBSET	1	20428	295	590
250x110x250	RT250X110R11BKBSET	1	20690	295	590
250x125x250	RT250X125R11BKBSET	1	20630	295	590
250x160x250	RT250X160R11BKBSET	1	20950	295	590
280x110x280	RT280X110R11BKBSET	1	29490	331	690
280x160x280	RT280X160R11BKBSET	1	29786	331	690
280x200x280	RT280X200R11BKBSET	1	30532	331	690
280x225x280	RT280X225R11BKBSET	1	31300	331	690
315x110x315	RT315X110R11BKBSET	1	38806	372	712
315x160x315	RT315X160R11BKBSET	1	39920	372	712
315x200x315	RT315X200R11BKBSET	1	40360	372	712
315x225x315	RT315X225R11BKBSET	1	40980	372	712
315x250x315	RT315X250R11BKBSET	1	41480	372	712

11BKBSET - SDR 11 PE 100 Black - 4mm Pin

17BKBSET - SDR 17 PE 100 Black - 4mm Pin.

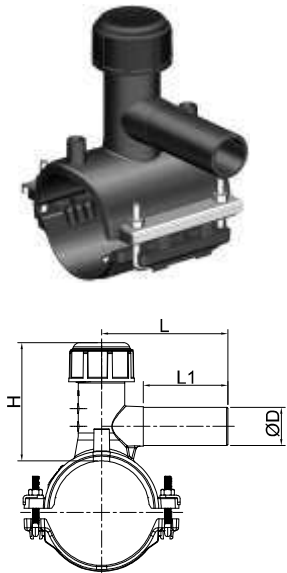
Consider Fusion Time & Cooling Time as per respective size coupler

Note: SET=Combination of EF Coupler + Spigot Fittings
(Spigot Fittings are Imported.)

SP=Standard Pack Quantity, FT=Fusion Time in Seconds, CT=Cooling Time in Minutes, SP and Weight are given for reference only

Note: Every effort has been made to ensure the information in this brochure is correct at the date of issue. Kimplas operates a policy of continual product improvement and range extension, hence reserves the right to modify product specifications, without prior information, in line with market requirements.

EF WRAP AROUND TAPPING TEE- CLAMPED TYPE

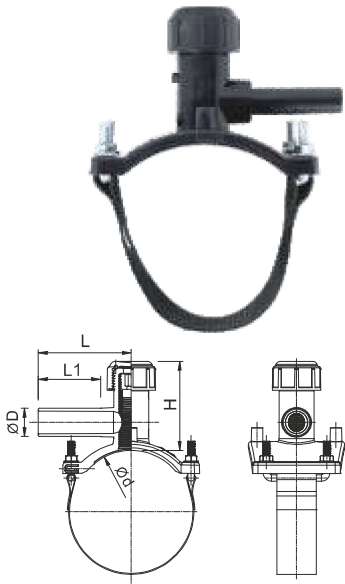


dxD	Product Code	SP	Weight (gm)	H (mm)	L (mm)	L1 (mm)	FT	CT
63x20	WATT63X20BKB1	18	387	103	106	71	70	4
63x25	WATT63X25BKB1	18	388	103	106	71	70	4
63x32	WATT63X32BKB1	18	395	103	106	71	70	4
75x20	WATT75X20BKB1	12	562	104	106	71	100	7
75x25	WATT75X25BKB1	12	564	104	106	71	100	7
75x32	WATT75X32BKB1	12	568	104	106	71	100	7
90x20	WATT90X20BKB1	12	600	100	106	71	100	7
90x25	WATT90X25BKB1	12	602	100	106	71	100	7
90x32	WATT90X32BKB1	12	606	100	106	71	100	7
110x20	WATT110X20BKB	9	520	93	106	71	95	7
110x25	WATT110X25BKB	10	520	93	106	71	95	7
110x32	WATT110X32BKB	10	520	93	106	71	95	7
125x20	WATT125X20BKB	9	510	93	106	71	95	7
125x25	WATT125X25BKB	9	520	93	106	71	95	7
125x32	WATT125X32BKB	9	535	93	106	71	95	7

BKB / BKB1 - PE 100 Black - 4mm Pin

BK8B - PE 80 Black - 4mm Pin

EF WRAP AROUND TAPPING TEE- BELT TYPE

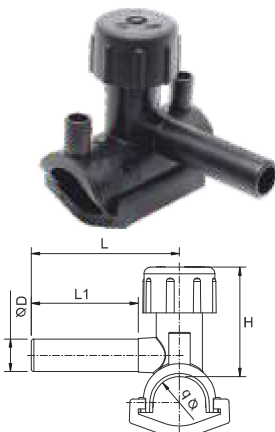


dxD	Product Code	SP	Weight (gm)	H (mm)	L (mm)	L1 (mm)	FT	CT
140 x 20	WATT140X20BKB	15	687	102	106	71	95	7
140 x 25	WATT140X25BKB	15	687	102	106	71	95	7
140 x 32	WATT140X32BKB	15	687	102	106	71	95	7
160 x 20	WATT160X20BKB	15	717	102	106	71	95	7
160 x 25	WATT160X25BKB	10	717	102	106	71	95	7
160 x 32	WATT160X32BKB	10	717	102	106	71	95	7
200 x 20	WATT200X20BKB	12	555	102	106	71	95	7
200 x 25	WATT200X25BKB	12	555	102	106	71	95	7
200 x 32	WATT200X32BKB	12	555	102	106	71	95	7

BKB - PE 100 Black - 4mm Pin

BK8B - PE 80 Black - 4mm Pin

EF WRAP AROUND TAPPING TEE- SLIDE FIT WRAP



dxD	Product Code	SP	Weight (gm)	H (mm)	L (mm)	L1 (mm)	FT	CT
32x20	WATT32X20BKB	40	180	83	90	65	30	4
40x20	WATT40X20BKB	25	270	86	110	78	30	4
40x25	WATT40X25BKB	25	270	86	110	78	30	4
40x32	WATT40X32BKB	25	270	86	110	78	30	4

BKB - PE 100 Black - 4mm Pin

BK8A - PE 80 Black - 4.7mm Pin

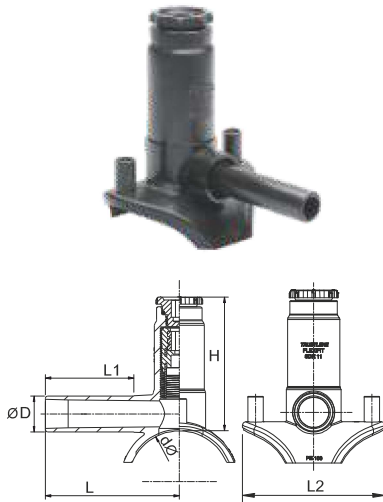
BKA - PE 100 Black - 4.7mm Pin

BK8B - PE 80 Black - 4mm Pin

YEA - PE 80 Yellow - 4.7mm Pin

SP=Standard Pack Quantity, FT=Fusion Time in Seconds, CT=Cooling Time in Minutes, SP and Weight are given for reference only

EF FLEXI FIT TAPPING TEE

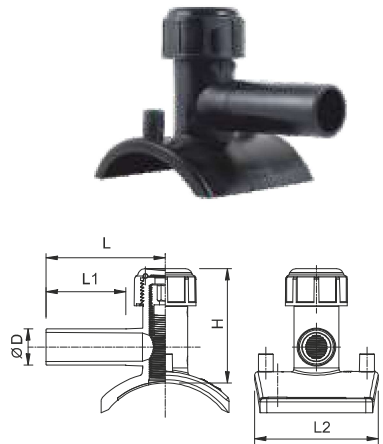


dxD	Product Code	SP	Weight (gm)	H (mm)	L (mm)	L1 (mm)	L2 (mm)	FT	CT
63-75x20	FFT63T75X20BK8B	20	241	119	118	76	120	70	4
63-75x25	FFT63T75X25BK8B	20	241	119	118	76	120	70	4
63-75x32	FFT63T75X32BK8B	20	241	119	118	76	120	70	4
90-140x20	FFT90T140X20BK8B	20	266	119	118	76	120	70	4
90-140x25	FFT90T140X25BK8B	20	266	119	118	76	120	70	4
90-140x32	FFT90T140X32BK8B	20	266	119	118	76	120	70	4
160-225x20	FFT160T225X20B8B	20	315	136	130	76	120	80	4
160-225x25	FFT160T225X25B8B	20	315	136	130	76	120	80	4
160-225x32	FFT160T225X32B8B	20	292	136	130	76	120	80	4

BK8B - PE 80 Black - 4mm Pin
 YEA - PE 80 Yellow - 4.7mm Pin

* Only For Water

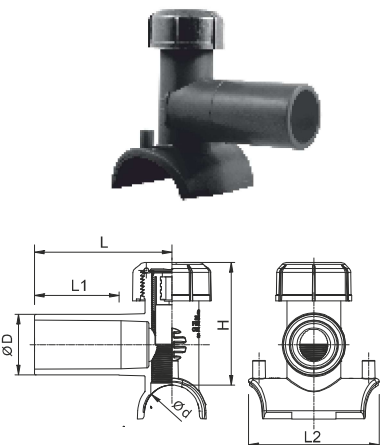
EF TAPPING TEE



dxD	Product Code	SP	Weight (gm)	H (mm)	L (mm)	L1 (mm)	L2 (mm)	FT	CT
d50x20mm	TT50X20BK8B	30	134	78	98	65	113	30	4
d50x25mm	TT50X25BK8B	30	153	78	98	65	113	30	4
d50x32mm	TT50X32BK8B	25	139	78	98	65	113	30	4
d63-2"-75x32mm	TT63-2"-75X32BK8B	24	271	96	106	71	110	70	4
d90-3"x32mm	TT90-3"X32BK8B	24	281	96	106	71	110	80	4
d110-4"-140x32mm	TT110-4"-140X32BK8B	24	358	98	106	71	110	80	4
d160-8"-213x32mm	TT160-8"-213X32BK8B	24	292	100	106	71	110	80	4
d225-250x32mm	TT225-250X32BK8B	24	286	100	130	71	110	80	4
d280x20mm *	TT280x20BKB	24	300	100	130	71	110	80	4
d280x25mm *	TT280x25BKB	24	300	100	130	71	110	80	4
d280x32mm *	TT280x32BKB	24	300	100	130	71	110	80	4

BK8B - PE 80 Black - 4mm Pin * Under Development
 YEA - PE 80 Yellow - 4.7mm Pin

EF HIGH VOLUME TAPPING TEE



dxD	Product Code	SP	Weight (gm)	H (mm)	L (mm)	L1 (mm)	L2 (mm)	FT	CT
d63-2"x63mm	TT63-2"X63BK8B	10	602	168	143	88	136	70	4
d75x63mm	TT75X63BK8B	10	623	168	143	88	136	70	4
d90-3"x63mm	TT90-3"X63BK8B	10	630	181	146	90	136	70	4
d110-4"-125x63mm	TT110-4"-125X63BK8B	10	662	182	146	90	136	70	4
d180-8"-200x63mm	TT180T200X63BK8B	10	674	148	146	88	136	70	4

BK8A - PE 80 Black - 4.7mm Pin
 BK8B - PE 80 Black - 4mm Pin
 YEA - PE 80 Yellow - 4.7mm Pin

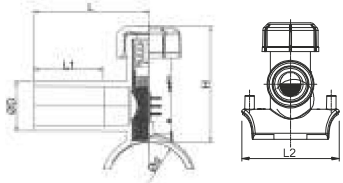
SP=Standard Pack Quantity, FT=Fusion Time in Seconds, CT=Cooling Time in Minutes, SP and Weight are given for reference only

Note: Every effort has been made to ensure the information in this brochure is correct at the date of issue. Kimplas operates a policy of continual product improvement and range extension, hence reserves the right to modify product specifications, without prior information, in line with market requirements.



EF HIGH VOLUME TAPPING TEE (NRC)

dxD	Product Code	SP	Weight (gm)	H (mm)	L (mm)	L1 (mm)	FT	CT
63x63mm	HVTT63X63NRCBKB	10	676	128	143	88	70	7
75x63mm	HVTT75X63NRCBKB	10	623	127	143	88	70	7
90x63mm	HVTT90X63NRCBKB	10	640	147	146	88	70	7
110x63mm	HVTT110X63NRCBKB	10	653	148	146	88	70	7
125x63mm	HVTT125X63NRCBKB	10	653	148	146	88	70	7
180x63mm	HVTT180X63NRCBKB	10	674	148	146	88	70	7



BK8A - PE 80 Black - 4.7mm Pin

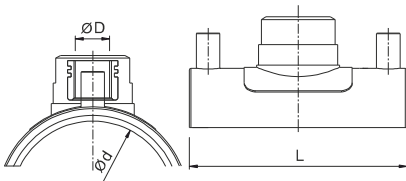
BK8B - PE 80 Black - 4mm Pin

YEA - PE 80 Yellow - 4.7mm Pin

EF BRANCH SADDLE



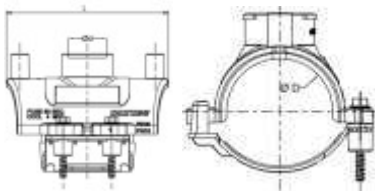
dxD	Product Code	SP	Weight (gm)	d (mm)	D (mm)	L (mm)	FT	CT
50x1/2"	BS50X050BKB	86	140	50	1/2"	120	30	4
63-75x1/2"	FFBS63T75X050BLC	60	233	63	1/2"	120	70	4
63-75x3/4"	FFBS63T75X075BLC	60	275	63	3/4"	120	70	4
63-75x1"	FFBS63T75X100BLC	50	275	63	3/4"	120	70	4
90-140x1/2"	FFBS90T140X050BLC	60	181	90	1/2"	120	80	4
90-140x3/4"	FFBS90T140X75BLC	60	183	90	3/4"	120	80	4
90-140x1"	FFBS90T140X100BLC	60	231	90	1"	120	80	4
160-225x1/2"	BS160T225X050BLB1	45	299	160	1/2"	120	70	4
160-225x3/4"	BS160T225X075BLB1	45	301	160	3/4"	120	70	4
160-225x1"	BS160T225X100BLB1	45	359	160	1"	120	80	4
250-315x1/2"	BS250T315X050BLB1	45	270	250	1/2"	120	75	4
250-315x3/4"	BS250T315X075BLB1	45	270	250	3/4"	120	75	4
250-315x1"	BS250T315X100BLB1	45	277	250	1"	120	75	4



BRANCH SADDLE WITH BOTTOM WRAP

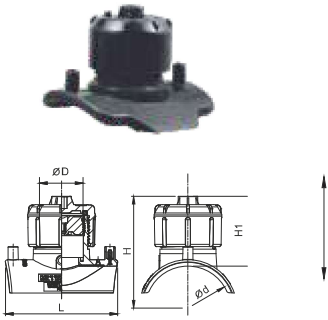


dxD	Product Code	SP	Weight (gm)	d (mm)	D (mm)	L (mm)	FT	CT
63x1/2"	WABS63X050BKB	40	170	63	1/2"	125	80	4
75x1/2"	WABS75X050BKB	30	264	75	1/2"	120	100	4
90x1/2"	WABS90X050BKB	25	300	90	1/2"	140	100	4



SP=Standard Pack Quantity, FT=Fusion Time in Seconds, CT=Cooling Time in Minutes, SP and Weight are given for reference only

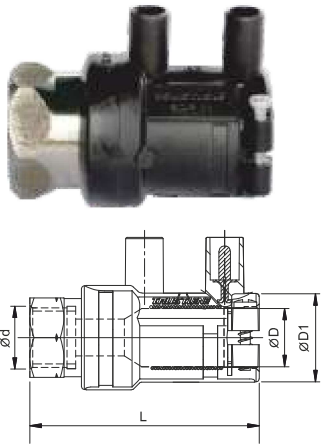
EF PURGE BAG STOP SADDLE



dxD	Product Code	SP	Weight (gm)	H (mm)	H1 (mm)	L (mm)	FT	CT
d90mmx2"	PBSS90x200BK8B	20	408	134	92	146	70	7
d125mmx2"	PBSS125X200BK8B	20	431	155	92	146	70	7
d180mmx2"	PBSS180X200BK8B	20	428	182	92	160	80	7
d225mmx2"	PBSS225X200BK8B	20	442	204	92	160	80	7
d250mmx2"	PBSS250X200BK8B	20	442	217	92	160	80	7
d315mmx2"	PBSS315X200BK8B	18	463	250	92	160	80	7
d355mmx2"	PBSS355X200BK8B	18	463	270	92	160	80	7
d400mmx2"	PBSS400X200BK8B	18	470	292	92	160	80	7

BK8B - PE 80 Black - 4mm Pin YEA - PE 80 Yellow - 4.7mm Pin

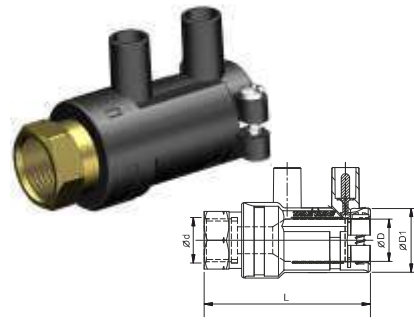
EF IC METAL (SS) TRANSITION COUPLER



Dxd	Threads	Product Code	SP	Weight (gm)	D1 (mm)	L (mm)	FT	CT
20x1/2"	NPT	MTC20X050NPTBKD1	100	147	31	80	19	4
20x1/2"	BSP	MTC20X050BSPBKD1	100	147	31	80	19	4
20x3/4"	NPT	MTC20X075NPTSSBKD	100	170	31	89	19	4
20x3/4"	BSP	MTC20X075BSPSSBKD	100	170	31	89	19	4
32x1/2"	NPT	MTC32X050NPTBKD	60	163	44	83	28	4
32x1/2"	BSP	MTC32X050BSPBKD	60	163	44	83	28	4
32x3/4"	NPT	MTC32X075BKD	60	163	44	83	28	4
32x3/4"	BSP	MTC32X075BSPBKD	60	163	44	83	28	4
32x1"	NPT	MTC32X1BKD	60	258	44	88	28	4
32x1"	BSP	MTC32X100BSPBKD	60	258	44	88	28	4

BKD - PE 100 Black - 4mm Pin

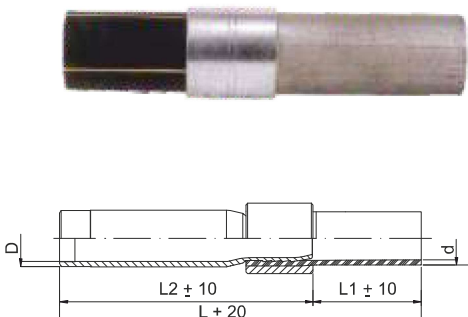
EF IC METAL (BRASS) TRANSITION COUPLER



Dxd	Threads	Product Code	SP	Weight (gm)	D1 (mm)	L (mm)	FT	CT
20x1/2"	NPT	MTC20X050NPTBRBKD	100	106	31	78	19	4
20x1/2"	BSP	MTC20X050BSPBRBKD	100	106	31	78	19	4

BKD - PE 100 Black - 4mm Pin

WELDABLE TRANSITION FITTING (STEEL-PE) (Carbon Steel pipe with zinc coated x PE 100 SDR11 Pipe)



dxD	Product Code	Weight (kg)	L (mm)	L1 (mm)	L2 (mm)
32mmx1"	WTFPEGID32X100BKL	1.2	400	100	300
40mmx1 1/4"	WTFPEGID40X125BKL	1.7	460	160	300
50mmx1 1/2"	WTFPEGID50X150BKL	1.8	460	160	300
63mmx2"	WTFPEGID63X200BKL	2.7	485	185	300
90mmx3"	WTFPEGID90X300BKL	6.2	510	190	320
100mmx4"	WTFPEGID100X400BKL	10.1	510	190	320
125mmx4"	WTFPEGID125X400BKL	10.5	510	190	320
160mmx6"	WTFPEGID160X600BKL	18.3	630	200	430
180mmx6"	WTFPEGID180X600BKL	18.7	630	200	430

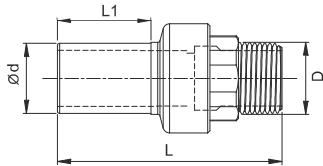
Carbon Steel - API 5L

PE100 SDR11 Pipe as per ISO 4437. (Weldable Transition Fittings are imported)

SP=Standard Pack Quantity, FT=Fusion Time in Seconds, CT=Cooling Time in Minutes, SP and Weight are given for reference only

Note: Every effort has been made to ensure the information in this brochure is correct at the date of issue. Kimplas operates a policy of continual product improvement and range extension, hence reserves the right to modify product specifications, without prior information, in line with market requirements.

BRASS SPIGOT TRANSITION FITTING - MALE BSPT

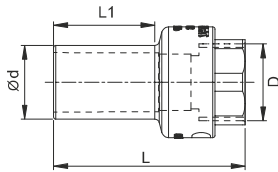


dxD	BSPT	SP	Weight (gm)	L (mm)	L1 (mm)
d20x1/2"	BSPTRA20X050MBSPT	50	118	97	43
d20x3/4"	BSPTRA20X075MBSPT	50	127	97	43
d25x3/4"	BSPTRA25X075MBSPT	50	147	97	43
d32x3/4"	BSPTRA32X075MBSPT	60	201	103	43
d32x1"	BSPTRA32X100MBSPT	50	233	103	43
d40x1.1/4"	BSPTRA40X125MBSPT	45	374	126	53
d50x1.1/2"	BSPTRA50X150MBSPT	40	437	133	61
d63x2"	BSPTRA63X200MBSPT	25	698	139	43

MBSPT - PE 100 Black - BSPT

MNPT - PE 100 Black - NPT

BRASS SPIGOT TRANSITION FITTING - FEMALE BSP

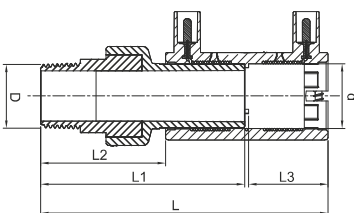


dxD	Product Code	SP	Weight (gm)	L (mm)	L1 (mm)
d20 x 1/2"	BSPTRAN20X050FBSP	50	94	81	43
d25 x 3/4"	BSPTRAN25X075FBSP	50	116	81	43
d32 x 3/4"	BSPTRAN32X075FBSP	50	163	83	43
d32 x 1"	BSPTRAN32X100FBSP	50	171	83	43
d40 x 1.1/4"	BSPTRAN40X125FBSP	45	310	104	53
d50 x 1.1/2"	BSPTRAN50X150FBSP	40	365	111	61
d63 x 2"	BSPTRAN63X200FBSP	25	541	115	63

FBSP - PE 100 Black - BSP

FNPT - PE 100 Black - NPT

EF BRASS TRANSITION COUPLER - MALE

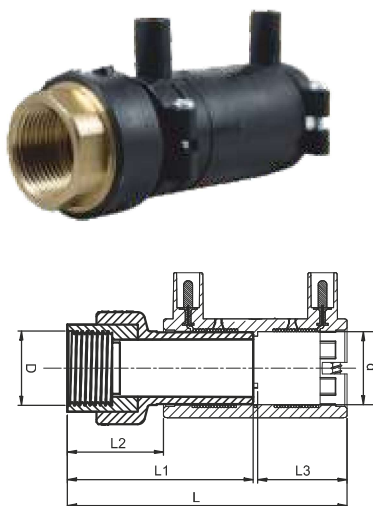


dxD	Product Code	SP	Weight (gm)	L (mm)	L1 (mm)	L2 (mm)	L3 (mm)	FT	CT
d20x1/2"	TCB20X050MBSPTBKD	-	171	137	97	60	38	22	4
d20x3/4"	TCB20X075MBSPTBKD	-	180	137	97	60	38	22	4
d25x3/4"	TCB25X075MBSPTBKD	-	210	138	97	59	39	28	4
d32x3/4"	TCB32X075MBSPTBKD	-	276	124	83	60	41	42	4
d32x1"	TCB32X100MBSPTBKD	-	308	145	103	63	40	42	4
d40x1.1/4"	TCB40X125MBSPTBKD	-	470	167	126	73	42	52	7
d50x1.1/2"	TCB50X150MBSPTBKD	-	578	185	133	72	53	55	7
d63x2"	TCB63X200MBSPTBKD	-	918	190	139	90	49	70	7

MBSPTBKD - PE 100 Black - BSPT - 4mm Pin

MNPTBKD - PE 100 Black - NPT - 4mm Pin

SP=Standard Pack Quantity, FT=Fusion Time in Seconds, CT=Cooling Time in Minutes, SP and Weight are given for reference only



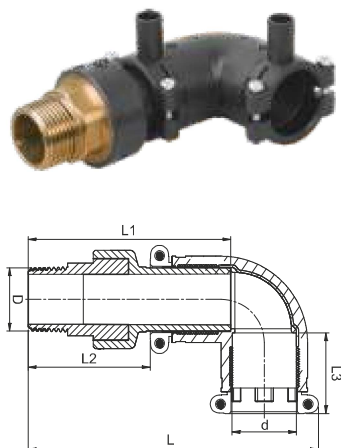
EF BRASS TRANSITION COUPLER - FEMALE

dxD	Product Code	SP	Weight (gm)	L (mm)	L1 (mm)	L2 (mm)	L3 (mm)	FT	CT
d20x1/2"	TCB20X050FBSPBKD	-	147	121	81	38	38	22	4
d25x3/4"	TCB25X075FBSPBKD	-	179	122	81	38	39	28	4
d32x3/4"	TCB32X075FBSPBKD	-	351	124	83	40	41	42	4
d32x1"	TCB32X100FBSPBKD	-	246	125	83	43	40	42	4
d40x1.1/4"	TCB40X125FBSPBKD	-	406	146	104	51	42	52	7
d50x1.1/2"	TCB50X150FBSPBKD	-	506	164	111	50	53	55	7
d63x2"	TCB63X200FBSPBKD	-	761	166	115	52	49	70	7

FBSPBKD - PE 100 Black - BSP - 4mm Pin

FNPTBKD - PE 100 Black - NPT - 4mm Pin

EF BRASS TRANSITION ELBOW - 90° MALE

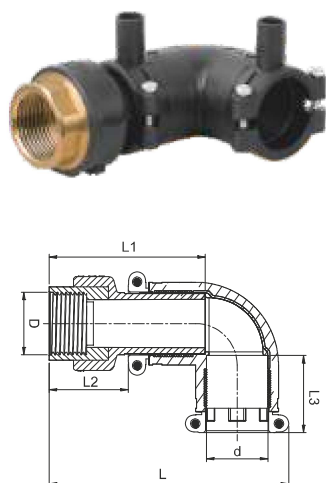


dxD	Product Code	SP	Weight (gm)	L (mm)	L1 (mm)	L2 (mm)	L3 (mm)	FT	CT
d20x1/2"	TE9B20X050MBSPTBKD	-	181	136	97	60	38	22	4
d20x3/4"	TE9B20X075MBSPTBKD	-	190	136	97	60	38	22	4
d32x3/4"	TE9B32X075MBSPTBKD	-	291	149	103	63	43	42	4
d32x1"	TE9B32X100MBSPTBKD	-	323	149	103	63	40	42	4
d40x1.1/4"	TE9B40X125MBSPTBKD	-	515	176	126	72	51	52	7
d50x1.1/2"	TE9B50X150MBSPTBKD	-	572	190	133	71	58	55	7
d63x2"	TE9B63X200MBSPTBKD	-	1013	220	139	90	49	70	7

MBSPTBKD - PE 100 Black - BSPT - 4mm Pin

MNPTBKD - PE 100 Black - NPT - 4mm Pin

EF BRASS TRANSITION ELBOW - 90° FEMALE



dxD	Product Code	SP	Weight (gm)	L (mm)	L1 (mm)	L2 (mm)	L3 (mm)	FT	CT
d20x1/2"	TE9B20X050FBSPBKD	-	157	120	81	38	38	22	4
d25x3/4"	TE9B25X075FBSPBKD	-	186	121	81	38	39	28	4
d32x1"	TE9B32X100FBSPBKD	-	261	126	83	43	40	42	4
d40x1.1/4"	TE9B40X125FBSPBKD	-	451	155	104	51	51	52	7
d50x1.1/2"	TE9B50X150FBSPBKD	-	500	169	111	50	58	55	7
d63x2"	TE9B63X200FBSPBKD	-	856	196	115	66	49	70	7

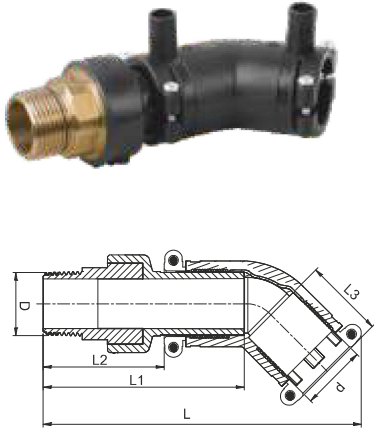
FBSPBKD - PE 100 Black - BSP - 4mm Pin

FNPTBKD - PE 100 Black - NPT - 4mm Pin

SP=Standard Pack Quantity, FT=Fusion Time in Seconds, CT=Cooling Time in Minutes, SP and Weight are given for reference only

Note: Every effort has been made to ensure the information in this brochure is correct at the date of issue. Kimplas operates a policy of continual product improvement and range extension, hence reserves the right to modify product specifications, without prior information, in line with market requirements.

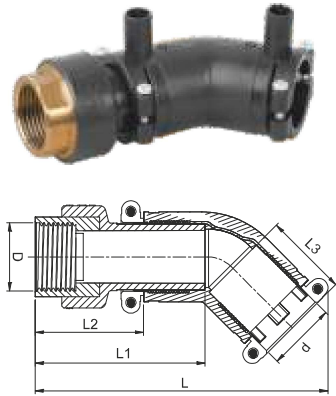
EF BRASS TRANSITION ELBOW - 45° MALE



dxD	Product Code	SP	Weight (gm)	L (mm)	L1 (mm)	L2 (mm)	L3 (mm)	FT	CT
d20x1/2"	TE4B20X050MBSPTBKD	-	173	147	97	60	43	22	4
d20x3/4"	TE4B20X075MBSPTBKD	-	182	147	97	60	43	22	4
d25x3/4"	TE4B25X075MBSPTBKD	-	219	155	97	59	48	28	4
d32x3/4"	TE4B32X075MBSPTBKD	-	286	164	103	63	51	42	4
d32x1"	TE4B32X100MBSPTBKD	-	318	164	103	63	40	42	4
d40x1.1/4"	TE4B40X125MBSPTBKD	-	499	184	126	73	58	52	7
d50x1.1/2"	TE4B50X150MBSPTBKD	-	618	197	133	72	65	55	7
d63x2"	TE4B63X200MBSPTBKD	-	1001	215	139	90	77	70	7

MBSPTBKD - PE 100 Black - BSPT - 4mm Pin
 MNPTBKD - PE 100 Black - NPT - 4mm Pin

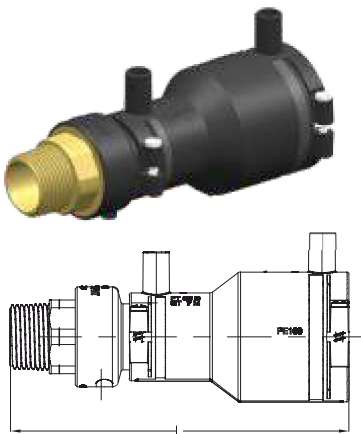
EF BRASS TRANSITION ELBOW - 45° FEMALE



dxD	Product Code	SP	Weight (gm)	L (mm)	L1 (mm)	L2 (mm)	L3 (mm)	FT	CT
d20x1/2"	TE4B20X050FBSPBKD	-	149	131	81	38	43	22	4
d25x3/4"	TE4B25X075FBSPBKD	-	188	139	81	38	43	28	4
d32x3/4"	TE4B32X075FBSPBKD	-	248	144	83	40	50	42	4
d32x1"	TE4B32X100FBSPBKD	-	256	144	83	43	40	42	4
d40x1.1/4"	TE4B40X125FBSPBKD	-	435	162	104	51	58	52	7
d50x1.1/2"	TE4B50X150FBSPBKD	-	546	176	111	50	65	55	7
d63x2"	TE4B63X200FBSPBKD	-	844	191	115	52	76	70	7

FBSPBKD - PE 100 Black - BSP - 4mm Pin
 FNPTBKD - PE 100 Black - NPT - 4mm Pin

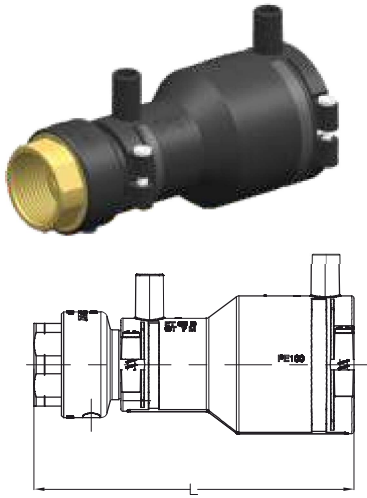
EF BRASS TRANSITION REDUCER - MALE



dxD	Product Code	SP	Weight (gm)	L (mm)	FT	CT
32 x 1/2"	TRED32X050MBSPTBKD	-	193	143	34	4
32 x 3/4"	TRED32X075MBSPTBKD	-	222	143	30	4
40 x 1/2"	TRED40X050MBSPTBKD	-	206	154	30	7
40 x 3/4"	TRED40X075MBSPTBKD	-	239	154	30	7
40 x 1"	TRED40X100MBSPTBKD	-	298	208	42	7
50 x 3/4"	TRED50X075MBSPTBKD	-	250	203	30	7
50 x 1"	TRED50X100MBSPTBKD	-	342	170	36	7
50 x 1 1/4"	TRED50X125MBSPTBKD	-	492	183	46	7
63 x 1"	TRED63X100MBSPTBKD	-	406	166	47	7
63 x 1 1/4"	TRED63X125MBSPTBKD	-	561	192	42	7
63 x 1 1/2"	TRED63X150MBSPTBKD	-	642	192	45	7

MBSPTBKD - PE 100 Black - BSPT - 4mm Pin
 MNPTBKD - PE 100 Black - NPT - 4mm Pin

SP=Standard Pack Quantity, FT=Fusion Time in Seconds, CT=Cooling Time in Minutes, SP and Weight are given for reference only



EF BRASS TRANSITION REDUCER - FEMALE

dxD	Product Code	SP	Weight (gm)	L (mm)	FT	CT
32 x 1/2"	TRED32X050FBSPBKD	-	169	127	34	4
32 x 3/4"	TRED32X075FBSPBKD	-	191	127	30	4
40 x 1/2"	TRED40X050FBSPBKD	-	182	138	30	7
40 x 3/4"	TRED40X075FBSPBKD	-	208	138	30	7
40 x 1"	TRED40X100FBSPBKD	-	268	137	42	7
50 x 3/4"	TRED50X075FBSPBKD	-	219	138	30	7
50 x 1"	TRED50X100FBSPBKD	-	280	153	36	7
50 x 1 1/4"	TRED50X125FBSPBKD	-	428	161	46	7
63 x 1"	TRED63X100FBSPBKD	-	344	149	47	7
63 x 1 1/4"	TRED63X125FBSPBKD	-	497	170	42	7
63 x 1 1/2"	TRED63X150FBSPBKD	-	570	170	45	7

FBSPBKD - PE 100 Black - BSP - 4mm Pin
 FNPTBKD - PE 100 Black - NPT - 4mm Pin

SP=Standard Pack Quantity, FT=Fusion Time in Seconds, CT=Cooling Time in Minutes, SP and Weight are given for reference only

Note: Every effort has been made to ensure the information in this brochure is correct at the date of issue. Kimplas operates a policy of continual product improvement and range extension, hence reserves the right to modify product specifications, without prior information, in line with market requirements.



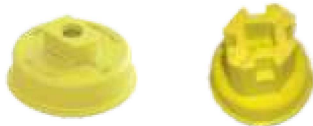
PE Ball Valve

d	Product Code
32	PEVALVEGASD32PE100
40	PEVALVEGASD40PE100
50	PEVALVEGASD50PE100
63	PEVALVEGASD63PE100
90	PEVALVEGASD90PE100
110	PEVALVEGASD110PE100
125	PEVALVEGASD125PE100
160	PEVALVEGASD160PE100
180	PEVALVEGASD180PE100

Valve Accessories

1. Operation Head

Clockwise or counterclockwise rotation



50mm square head according to EN 0555-4 40mm high
23mm head 12mm high

2. Baseplate and Coupling Collar

Material : PE



Fixed removable baseplate 220x160x12mm

Rotating removable baseplate 220x160x12mm

Coupling collar Ø90/Ø110

Optional: Antirotation indicator of open/close position when using a protection sleeve

3. PVC Operating Extensions

3 types of operating head

Square head* «A» head** «B» head**



Indication of a gas flow direction

Reinforced fixed model square head 50x50mm available height: 350,420,525,710mm

Fixed model with cutable height 1.50m high

Telescopic model from 1 to 2 m high

4. PVC Protection sleeve Ø 110 mm (Ø 90 mm on demand)

Fixed model (or with adjustable height) 820mm high or 1500mm high



Fits the coupling collar with an anti-rotation system

Telescopic model 470 - 770 mm high or 580 - 1020 high



Screw-on yellow cap with square head 50x50 and open/closed indication

Fits the coupling collar with an anti-rotation system

Ventilated model with geotextile coating which permits the evacuation of gas 675 high



PE valve with 1 fully equipped bleed connection



PE valve with 2 fully equipped bleed connection



Note: PE Ball Valve are Banides make or imported

Warranty & Disclaimer

Kimplas Products are warranted to be free from Manufacturing defect or poor workmanship when used within working specifications for which the products are designed under normal use and service.

Kimplas hereby offers warranty for period of 18 months from date of original supply or 12 months from date of commissioning whichever is earlier.

The manufacturer assumes no responsibility for installation, removal or unauthorized repair. The manufacturer's liability under this warranty is limited solely to replacement or repair of defective parts, and manufacturer will not be liable for any consequential damages resulting from any defects in design or breach of warranty.



Product Disposal

Kimplas products shall be recycled and reused at the end of life.



Kimplas Piping Systems Private Limited
A member of NORMA Group

www.kimplaspiping.net | www.normagroup.com

Head Office & Works

B-20, MIDC Ambad, Nashik, Maharashtra - 422 010, INDIA.
Tel.: +91 253 6622701/2 | Fax: +91 253 6604710
sales.kimplas@normagroup.com | www.kimplaspiping.net

Branch Office, Mumbai

301, Abhiman-II, 3rd Floor, Teen Hath Naka, Naupada,
Thane - Mumbai - 400 602
Tel: +91 22 25423448/9

Branch Office, Noida

SF 47, 2nd Floor, Ansals Fortune Arcade, Sector-18,
Noida-(U.P.)- 201301
Tel: +91 120 4570658/9

Branch Office, Chennai

No.-703, 7th Floor, Challa Mall Complex, New No-17,
Old No-11, Sir Thiyagaraya Road, T.Nagar, Chennai-600 017.
Tel: +91 44 48675645

Kimplas Piping Systems Private Limited

122 GA, Parbati Margh, Thapathali,
Kathmandu-32, Nepal
Tel.: +977 9851237404

Branch Office, Indore

Shop No. 403 & 405, 4th Floor, Block-C5, Poddar Plaza,
New Siyaganj, Indore (M.P.) – 452003
Mob.: +91 7566111124/57

Branch Office, Ahmedabad

GF- Shop No. 2 & 3, Block –C, Shiddhivinayak Tower ,
Nr.Katariya, Behind DCP Office , Off S.G. Highway , Makarba
Ahmedabad (Gujarat) PIN-380051
Tel.: +91 79 40399905

Branch Office, Secunderabad

Plot No-1, P & T Colony, Karkana, Secunderabad-500003
Tel : +91 4027893767

Kimplas Limited

C/o Norma UK DS Warehouse, Greenham Business Park,
Weber Road, NEWBURY RG19 6HW, UNITED KINGDOM
Tel.: +44 1635 521880